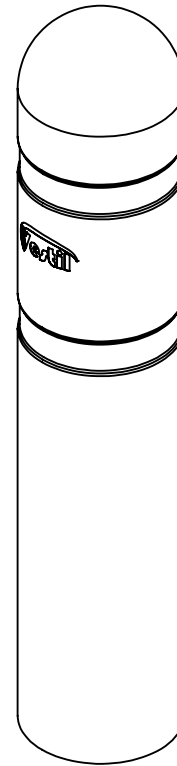
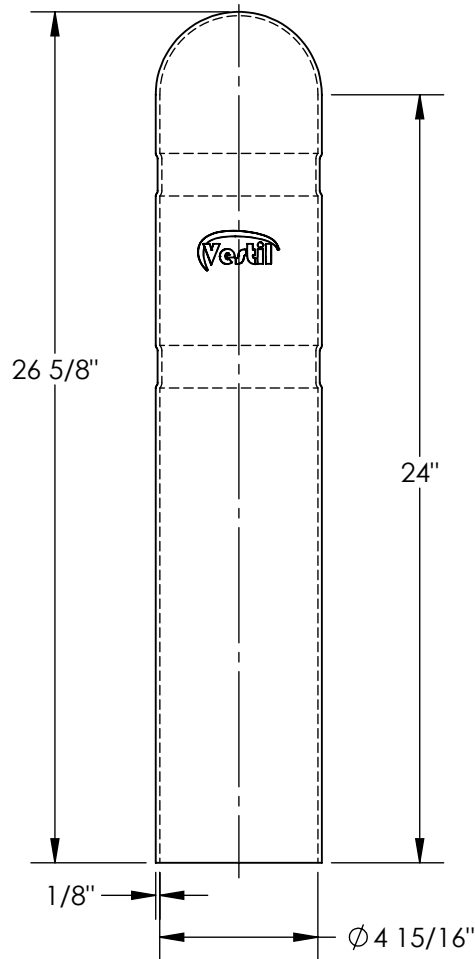
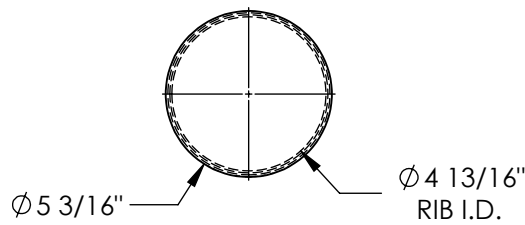


# PLASTIC BOLLARD COVER: BPC-24-4.5

APPROX WEIGHT: 2 lbs.  
DOES NOT INCLUDE WEIGHT OF POWER OR PACKAGING!!!

\*\*\*ANY ADDITIONS, DELETIONS, OR OMISSIONS MUST BE CORRECTED ON THIS DRAWING AS THIS DRAWING WILL BE CONSIDERED ALL INCLUSIVE\*\*\*



ALL GRAPHICS PROVIDED ARE FOR REFERENCE ONLY. IF CERTAIN DIMENSIONS ARE CRITICAL PLEASE VERIFY THOSE DIMENSIONS WITH YOUR SALESPERSON

DIMENSION TOLERANCE  $\pm 1/4''$

## STANDARD FEATURES

- MODEL NUMBER: BPC-24-4.5
- OVERALL HEIGHT: 26 5/8"
- USABLE HEIGHT: 24"
- OUTER DIAMETER:  $\phi 5 \frac{3}{16}''$
- INNER DIAMETER:  $\phi 4 \frac{15}{16}''$
- INNER RIB DIAMETER:  $\phi 4 \frac{13}{16}''$
- WALL THICKNESS: 1/8"
- FOR USE WITH  $\phi 4 \frac{1}{2}'' \times 24''$  BOLLARDS
- 2-RIBBED DESIGN
- MOLDED PLASTIC CONSTRUCTION
- YELLOW FINISH

## SPECIAL FEATURES

NONE

APPROVAL

I, THE UNDERSIGNED, AGREE THAT THE PRODUCT AS REPRESENTED SATISFIES DESIGN AND DIMENSION REQUIREMENTS. I ALSO ACKNOWLEDGE MY DUTY TO CONFIRM PRODUCT AND INSTALLATION COMPLIANCE WITH ALL APPLICABLE FEDERAL, STATE AND LOCAL REGULATIONS AND STANDARDS.

**UNITS REQUIRING APPROVAL DRAWINGS OR MODIFIED ARE NON-RETURNABLE**

As drawn       As marked

Signed: \_\_\_\_\_ Date: \_\_\_\_\_

Printed Name: \_\_\_\_\_

LEAD TIME WILL START UPON RECEIPT OF SIGNED APPROVAL DRAWING

DISTRIBUTOR'S NAME:		P.O.#
VESTIL MANUFACTURING		X
DRAWN BY: TJM		W.O.#
DATE: 10/04/2022		X
REFERENCE: X	SCALE: 1:6	SALES: X
QUOTED LEAD TIME: X	QUOTE #	FILE NAME:
	X	23-007-890