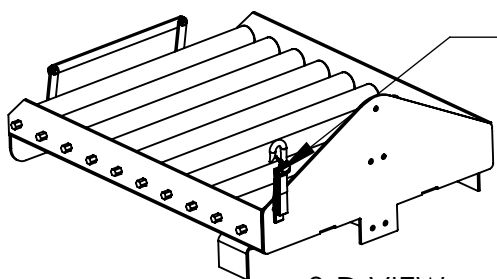


BATTERY TRANSFER PLATFORM - BTC-PJ

APPROX WEIGHT: 288.45 lbs.
 DOES NOT INCLUDE WEIGHT OF POWER OR PACKAGING!!!

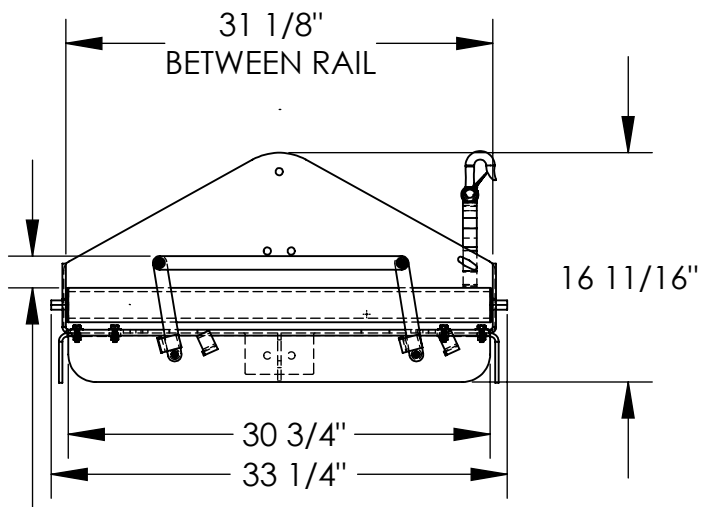
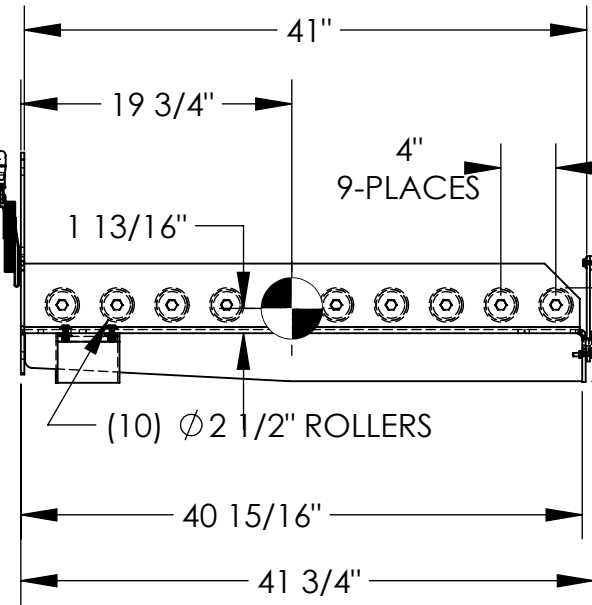
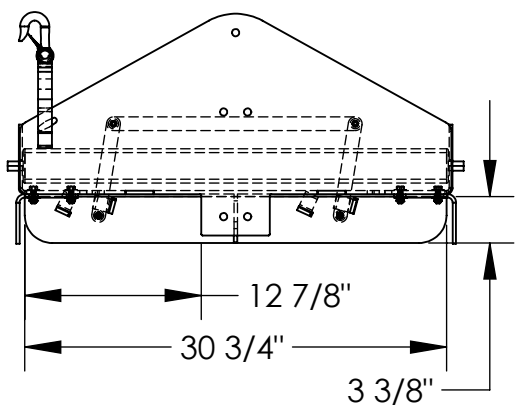
*** ANY ADDITIONS, DELETIONS, OR OMISSIONS MUST BE CORRECTED ON THIS DRAWING AS THIS DRAWING WILL BE CONSIDERED ALL INCLUSIVE ***

ALL GRAPHICS PROVIDED ARE FOR REFERENCE ONLY. IF CERTAIN DIMENSIONS ARE CRITICAL PLEASE VERIFY THOSE DIMENSIONS WITH YOUR SALESPERSON



FORK TRUCK
 RESTRAINING
 STRAP

3-D VIEW
 FOR REFERENCE



STANDARD FEATURES

- MODEL NUMBER: BTC-PJ
- CAPACITY: 4,000 LBS
- USABLE WIDTH: 31 1/8"
- USABLE LENGTH: 41"
- OVERALL WIDTH: 33 1/4"
- OVERALL LENGTH: 41 3/4"
- OVERALL HEIGHT: 16 11/16"
- FLOOR TO TOP OF ROLLERS (EXCLUDING PALLET TRUCK): 6 13/16" (+/- 1/8")
- NUMBER OF ROLLERS: 10
- FORK OPENING WIDTH 12 7/8"
- FORK OPENING HEIGHT 3 3/8"
- DESIGNED TO ACCOMODATE MOST PALLET TRUCK
- TOUGH BAKED IN POWDER COAT YELLOW FINSH

SPECIAL FEATURES

NONE

APPROX. WEIGHT / LOST LOAD = 288.45
 MINIMUM EFFECTIVE THICKNESS =
 FORK LENGTH - 40 15/16"
 VERTICAL CENTER OF GRAVITY =
 1 13/16"
 HORIZONTAL CENTER OF GRAVITY =
 19 3/4"

NEVER EXCEED LOAD CENTER
 RATING PER FORKTRUCK
 MANUFACTURERS GUIDELINES.
 DO NOT USE THIS FORK TRUCK
 ATTACHMENT IF LOAD WILL EXCEED
 FORK TRUCK MANUFACTURER'S
 LOAD CENTER RATING

DIMENSION TOLERANCE ± 1/4"

A P P R O V A L	I, THE UNDERSIGNED, AGREE THAT THE PRODUCT AS REPRESENTED SATISFIES DESIGN AND DIMENSION REQUIREMENTS. I ALSO ACKNOWLEDGE MY DUTY TO CONFIRM PRODUCT AND INSTALLATION COMPLIANCE WITH ALL APPLICABLE FEDERAL, STATE AND LOCAL REGULATIONS AND STANDARDS.	
	UNITS REQUIRING APPROVAL DRAWINGS OR MODIFIED ARE NON-RETURNABLE	
	[] As drawn [] As marked	
	Signed: _____	Date: _____
Printed Name: _____		
LEAD TIME WILL START UPON RECEIPT OF SIGNED APPROVAL DRAWING		

DISTRIBUTOR'S NAME: VESTIL MANUFACTURING		P.O.# X
DRAWN BY: B.HORN		W.O.# X
DATE: 08/12/2014		SALES: X
REFERENCE: X		SCALE: 1:14
QUOTED LEAD TIME: X		QUOTE # X
		FILE NAME: 33-007-158