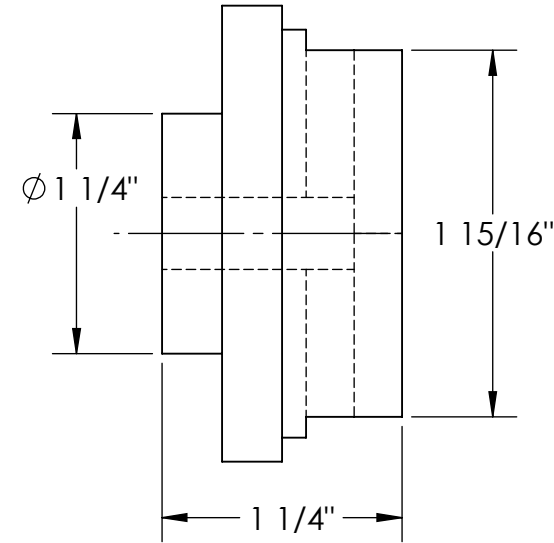
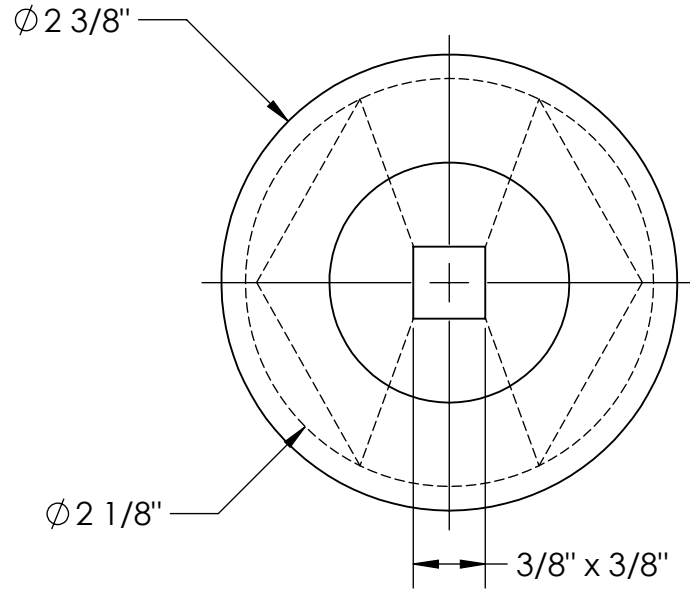


# DRUM BUNG SOCKET - BUNG-S-S1

APPROX WEIGHT: 0.80 lbs.  
 DOES NOT INCLUDE WEIGHT OF POWER OR PACKAGING!!!

\*\*\* ANY ADDITIONS, DELETIONS, OR OMISSIONS MUST BE CORRECTED ON THIS DRAWING AS THIS DRAWING WILL BE CONSIDERED ALL INCLUSIVE \*\*\*

ALL GRAPHICS PROVIDED ARE FOR REFERENCE ONLY. IF CERTAIN DIMENSIONS ARE CRITICAL PLEASE VERIFY THOSE DIMENSIONS WITH YOUR SALESPERSON



## STANDARD FEATURES

- MODEL NUMBER IS BUNG-S-S1
- OVERALL WIDTH IS  $\phi 2 \frac{3}{8}$ "
- USABLE WIDTH IS  $\phi 2 \frac{3}{8}$ "
- OVERALL LENGTH IS  $\phi 2 \frac{3}{8}$ "
- USABLE LENGTH IS  $\phi 2 \frac{3}{8}$ "
- OVERALL HEIGHT IS  $1 \frac{1}{4}$ "
- USEBLE HEIGHT IS  $1 \frac{1}{4}$ "
- MAX CAPACITY IS 0 LBS
- BRIGHT ZINC PLATED CAST STEEL FINISH

## SPECIAL FEATURES

NONE

DIMENSION TOLERANCE  $\pm 1/4$ "

APPROVAL

I, THE UNDERSIGNED, AGREE THAT THE PRODUCT AS REPRESENTED SATISFIES DESIGN AND DIMENSION REQUIREMENTS. I ALSO ACKNOWLEDGE MY DUTY TO CONFIRM PRODUCT AND INSTALLATION COMPLIANCE WITH ALL APPLICABLE FEDERAL, STATE AND LOCAL REGULATIONS AND STANDARDS.

**UNITS REQUIRING APPROVAL DRAWINGS OR MODIFIED ARE NON-RETURNABLE**

As drawn       As marked

Signed: \_\_\_\_\_ Date: \_\_\_\_\_

Printed Name: \_\_\_\_\_

LEAD TIME WILL START UPON RECEIPT OF SIGNED APPROVAL DRAWING

DISTRIBUTOR'S NAME:		P.O.#
VESTIL MANUFACTURING		X
DRAWN BY: TJH		W.O.#
DATE: 03/28/24		X
REFERENCE: X	SCALE: 1:1	SALES: X
QUOTED LEAD TIME: X	QUOTE #	FILE NAME:
	X	09-007-232