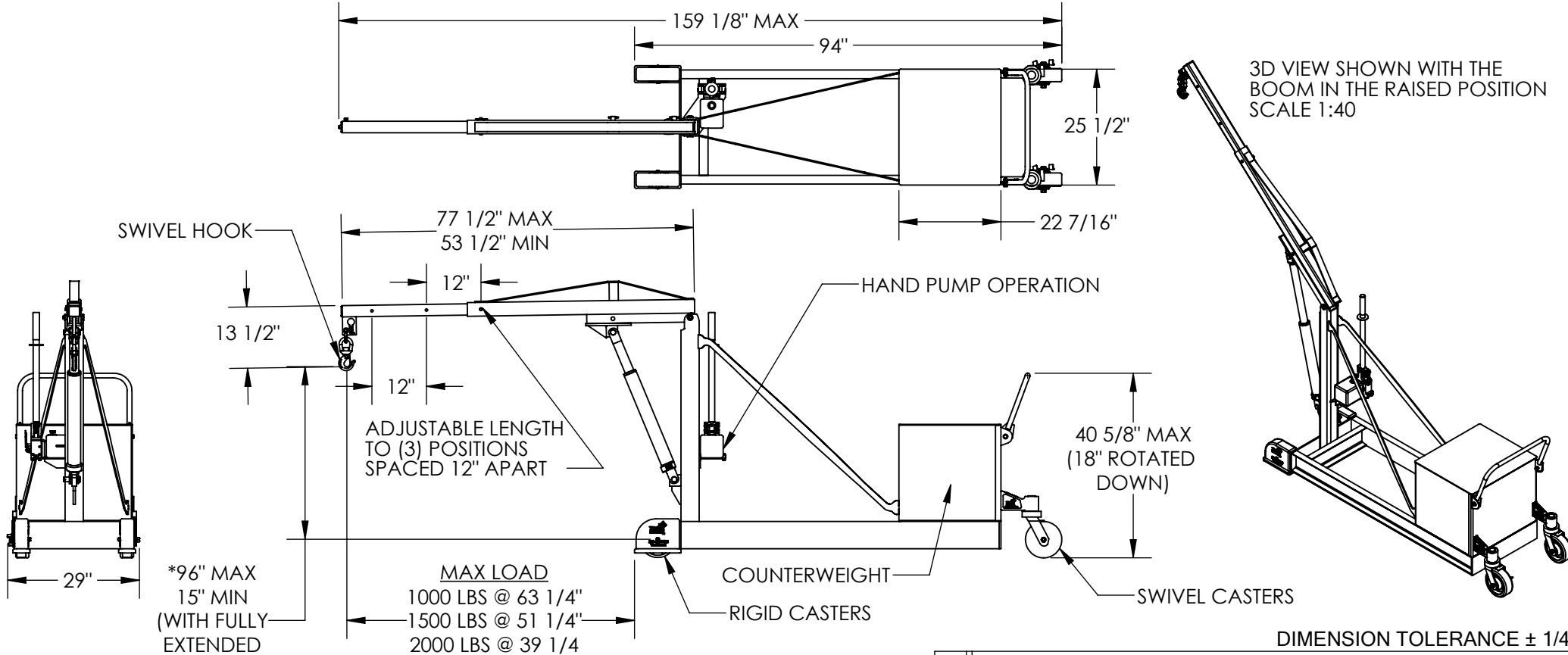


COUNTER BALANCED FLOOR CRANE - CBFC-2000

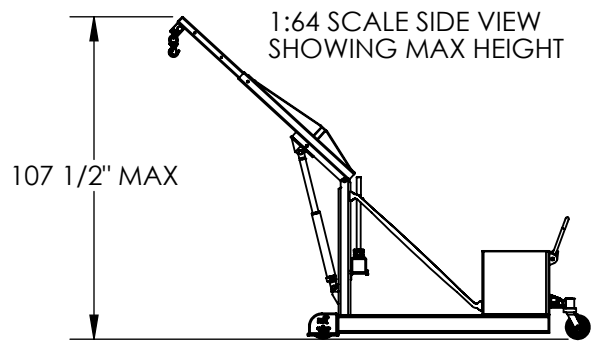
*** ANY ADDITIONS, DELETIONS, OR OMISSIONS MUST BE CORRECTED ON THIS DRAWING AS THIS DRAWING WILL BE CONSIDERED ALL INCLUSIVE ***
 ALL GRAPHICS PROVIDED ARE FOR REFERENCE ONLY. IF CERTAIN DIMENSIONS ARE CRITICAL PLEASE VERIFY THOSE DIMENSIONS WITH YOUR SALESPERSON



*WHEN BOOM IS FULLY RETRACTED AND THE CYLINDER IS FULLY RETRACTED HOOK HEIGHT IS 23 3/16"
 *WHEN BOOM IS FULLY RETRACTED AND THE CYLINDER IS FULLY EXTENDED HOOK HEIGHT IS 78 3/16"

STANDARD FEATURES

MODEL NUMBER IS CBFC-2000
 OVERALL WIDTH IS 29"
 OVERALL LENGTH IS 159 1/8" MAX
 OVERALL HEIGHT IS 107 1/2" MAX
 MAX CAPACITY IS 2000 LBS
 HAND PUMP OPERATION
 UNIT IS DURABLE LIQUID PAINT BLUE FINISH
 INNER BOOM IS DURABLE LIQUID PAINT YELLOW FINISH
 APPROX. SHIPPING WEIGHT: 2,356 LBS



SPECIAL FEATURES

NONE

I, THE UNDERSIGNED, AGREE THAT THE PRODUCT AS REPRESENTED SATISFIES DESIGN AND DIMENSION REQUIREMENTS. I ALSO ACKNOWLEDGE MY DUTY TO CONFIRM PRODUCT AND INSTALLATION COMPLIANCE WITH ALL APPLICABLE FEDERAL, STATE AND LOCAL REGULATIONS AND STANDARDS.
UNITS REQUIRING APPROVAL DRAWINGS OR MODIFIED ARE NON-RETURNABLE
 As drawn As marked

Signed: _____ Date: _____

Printed Name: _____

LEAD TIME WILL START UPON RECEIPT OF SIGNED APPROVAL DRAWING

DISTRIBUTOR'S NAME:		P.O.#
VESTIL MANUFACTURING		X
DRAWN BY: MTS		W.O.#
DATE: 6/12/2013		X
REFERENCE: X	SCALE: 1:32	SALES: X
QUOTED LEAD TIME: X	QUOTE # X	FILE NAME:
		16-007-368

DIMENSION TOLERANCE ± 1/4"