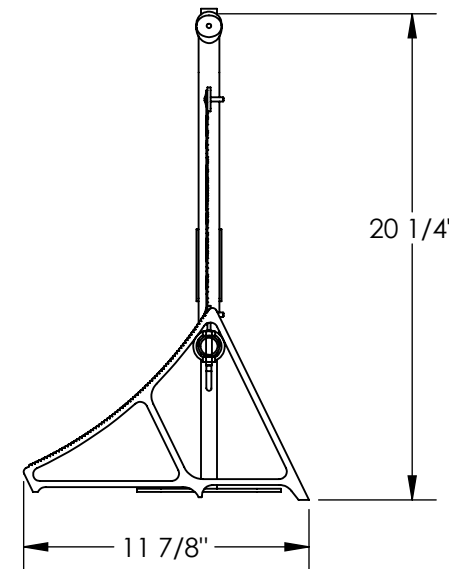
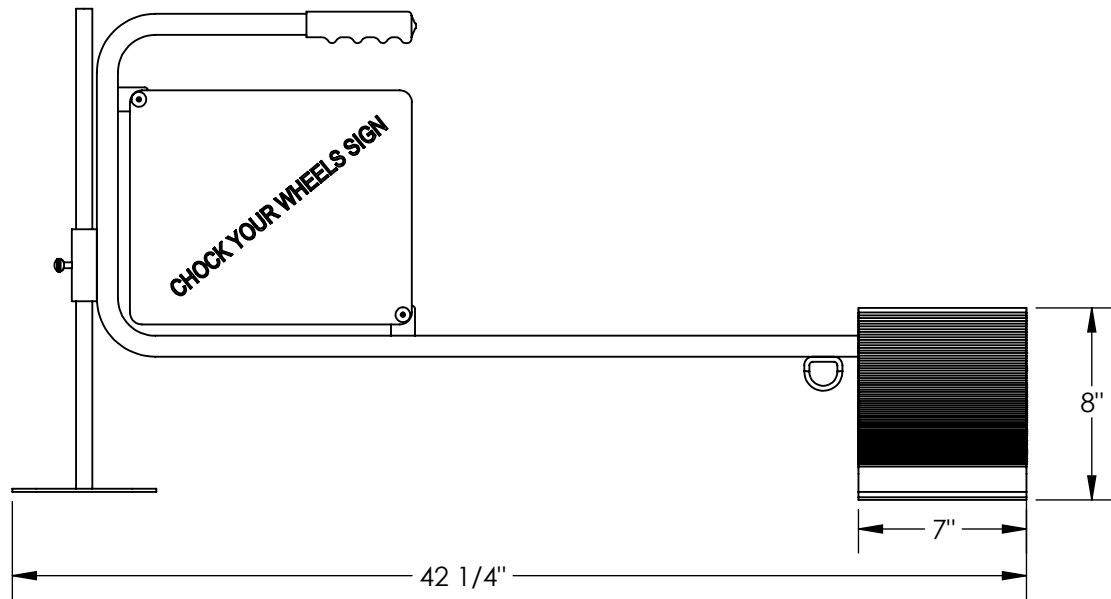


# ALUMINUM WHEEL CHOCK W/ FLAG - CWS-13

APPROX WEIGHT: 14.16 lbs.  
 DOES NOT INCLUDE WEIGHT OF POWER OR PACKAGING!!!

\*\*\* ANY ADDITIONS, DELETIONS, OR OMISSIONS MUST BE CORRECTED ON THIS DRAWING AS THIS DRAWING WILL BE CONSIDERED ALL INCLUSIVE \*\*\*

ALL GRAPHICS PROVIDED ARE FOR REFERENCE ONLY. IF CERTAIN DIMENSIONS ARE CRITICAL PLEASE VERIFY THOSE DIMENSIONS WITH YOUR SALESPERSON



## STANDARD FEATURES

- MODEL NUMBER IS CWS-13
- OVERALL WIDTH IS: 42 1/4"
- WHEEL CHOCK WIDTH IS: 7"
- OVERALL DEPTH IS: 11 7/8"
- OVERALL HEIGHT IS: 20 1/4"
- WHEEL CHOCK HEIGHT IS: 8"
- INCLUDES "CHOCK YOUR WHEELS" SIGN
- HANDLE IS TOUGH BAKED IN POWDER COATED YELLOW FINISH

## SPECIAL FEATURES

NONE

DIMENSION TOLERANCE ± 1/4"

|   |  |             |
|---|--|-------------|
| <b>A<br/>P<br/>P<br/>R<br/>O<br/>V<br/>A<br/>L</b>                  | I, THE UNDERSIGNED, AGREE THAT THE PRODUCT AS REPRESENTED SATISFIES DESIGN AND DIMENSION REQUIREMENTS. I ALSO ACKNOWLEDGE MY DUTY TO CONFIRM PRODUCT AND INSTALLATION COMPLIANCE WITH ALL APPLICABLE FEDERAL, STATE AND LOCAL REGULATIONS AND STANDARDS. |             |
|   | <b>UNITS REQUIRING APPROVAL DRAWINGS OR MODIFIED ARE NON-RETURNABLE</b>  |             |
|   | [ ] As drawn [ ] As marked   |             |
| Signed: _____   |  | Date: _____ |
| Printed Name: _____   |  |             |
| <b>LEAD TIME WILL START UPON RECEIPT OF SIGNED APPROVAL DRAWING</b> |  |             |

|                      |            |            |
|----------------------|------------|------------|
| DISTRIBUTOR'S NAME:  |            | P.O.#      |
| VESTIL MANUFACTURING |            | X          |
| DRAWN BY: RPS        |            | W.O.#      |
| DATE: 9/20/2012      |            | X          |
| REFERENCE: X         | SCALE: 1:8 | SALES: X   |
| QUOTED LEAD TIME: X  | QUOTE #    | FILE NAME: |
|                      | X          | 23-007-468 |