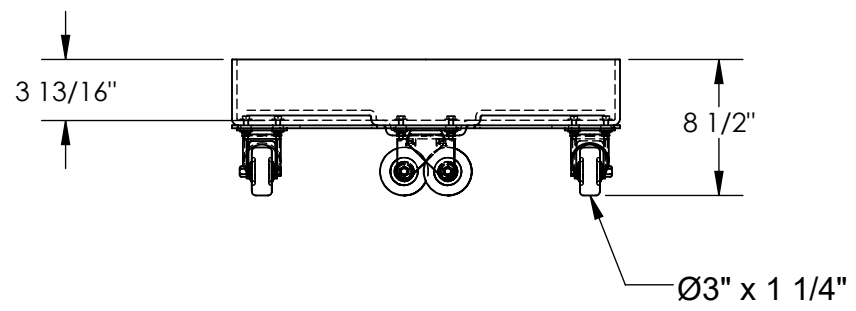
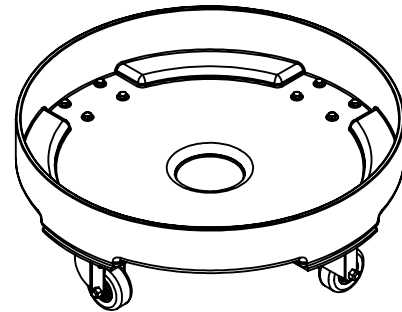
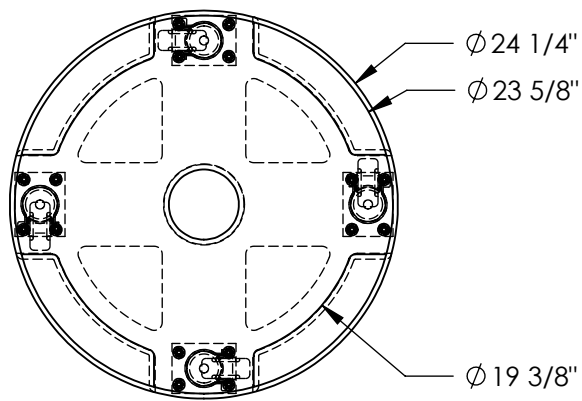


DRUM DOLLY - DRUM-DP-HD-55-BU

APPROX WEIGHT: 36.42 lbs.
DOES NOT INCLUDE WEIGHT OF POWER OR PACKAGING!!!

*** ANY ADDITIONS, DELETIONS, OR OMISSIONS MUST BE CORRECTED ON THIS DRAWING AS THIS DRAWING WILL BE CONSIDERED ALL INCLUSIVE ***

ALL GRAPHICS PROVIDED ARE FOR REFERENCE ONLY. IF CERTAIN DIMENSIONS ARE CRITICAL PLEASE VERIFY THOSE DIMENSIONS WITH YOUR SALESPERSON



DIMENSION TOLERANCE ± 1/2"

STANDARD FEATURES

- MODEL NUMBER IS DRUM-DP-HD-55-BU
- OVERALL DIAMETER IS $\phi 24 \frac{1}{4}$ "
- INNER DIAMETER IS $\phi 23 \frac{5}{8}$ "
- OVERALL HEIGHT IS $8 \frac{1}{2}$ "
- MAX CAPACITY IS 600 LBS
- MADE FROM HIGH DENSITY POLYETHYLENE
- HARD RUBBER CASTERS: $\phi 3$ " x $1 \frac{1}{4}$ "
- STEEL SUPPORT BASE: TOUGH BAKED IN POWDERCOATED YELLOW FINISH
- BLUE POLYETHYLENE
- WORKS WITH 55 OR 30 GALLON DRUMS

SPECIAL FEATURES

NONE

APPROVAL	I, THE UNDERSIGNED, AGREE THAT THE PRODUCT AS REPRESENTED SATISFIES DESIGN AND DIMENSION REQUIREMENTS. I ALSO ACKNOWLEDGE MY DUTY TO CONFIRM PRODUCT AND INSTALLATION COMPLIANCE WITH ALL APPLICABLE FEDERAL, STATE AND LOCAL REGULATIONS AND STANDARDS.	
	UNITS REQUIRING APPROVAL DRAWINGS OR MODIFIED ARE NON-RETURNABLE	
	[] As drawn [] As marked	
Signed: _____		Date: _____
Printed Name: _____		
LEAD TIME WILL START UPON RECEIPT OF SIGNED APPROVAL DRAWING		

DISTRIBUTOR'S NAME:		P.O.#
VESTIL MANUFACTURING		X
DRAWN BY: KGH		W.O.#
DATE: 6/15/2017		X
REFERENCE: X	SCALE: 1:12	SALES: X
QUOTED LEAD TIME: X	QUOTE # X	FILE NAME:
		31-007-280-001