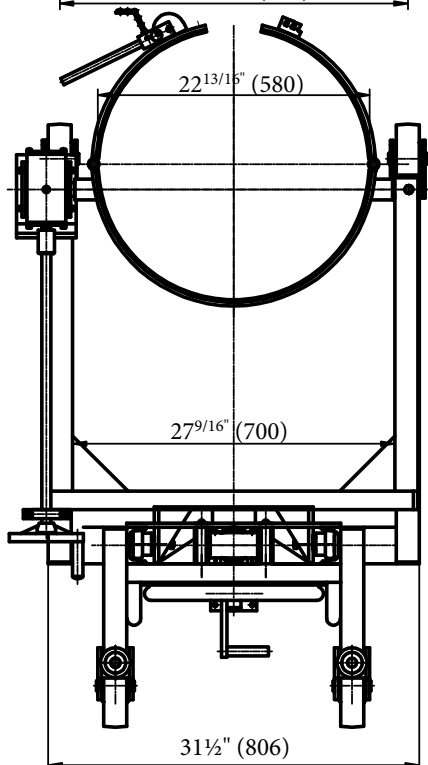
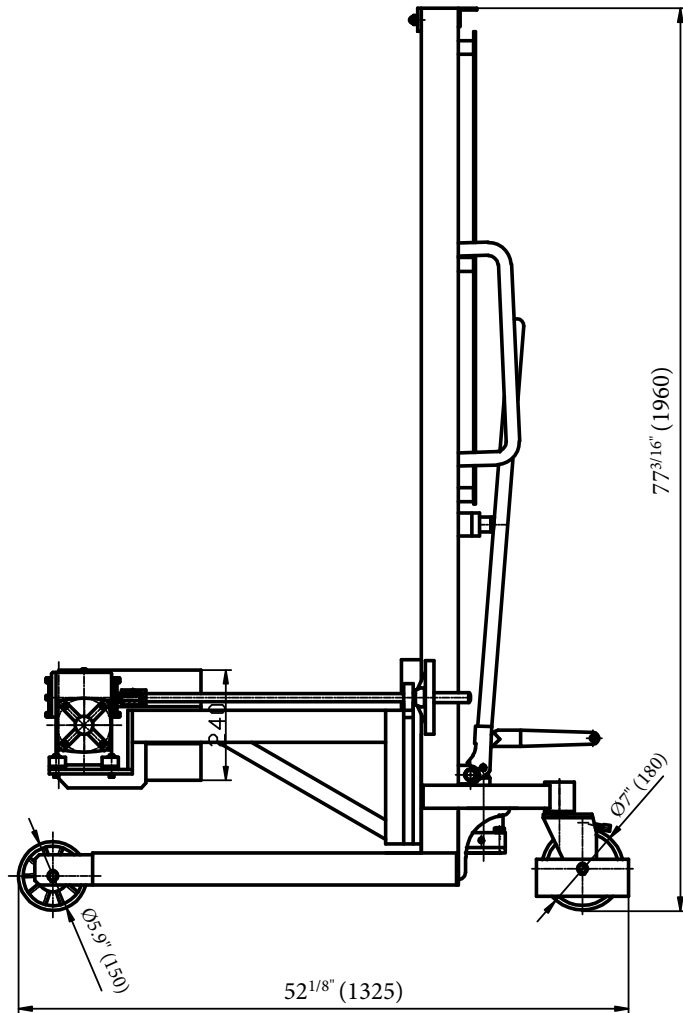
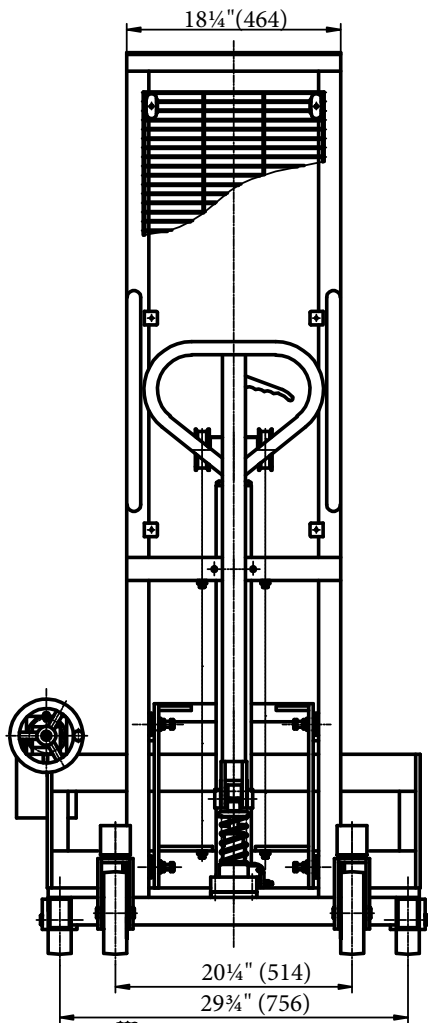


DRUM-LRT-EC (ECONOMY PORTABLE DRUM LIFTER/ROTATOR/TRANSPORTER)



SPECIFICATIONS:

- Capacity: 550 lbs
- Drum Raised Height: 53"
- Overall Mast Height: 77 3/16"
- Front Wheel: Ø5.9x2"
- Rear Wheel: Ø7x2"

| | |
|---|------------------|
| VESTIL MANUFACTURING CORP. | |
| Model: | DRUM-LRT-EC |
| Description: Economy Portable Drum Lifter/ Rotator/Transporter | |
| T.M | Date: 06/29/2020 |