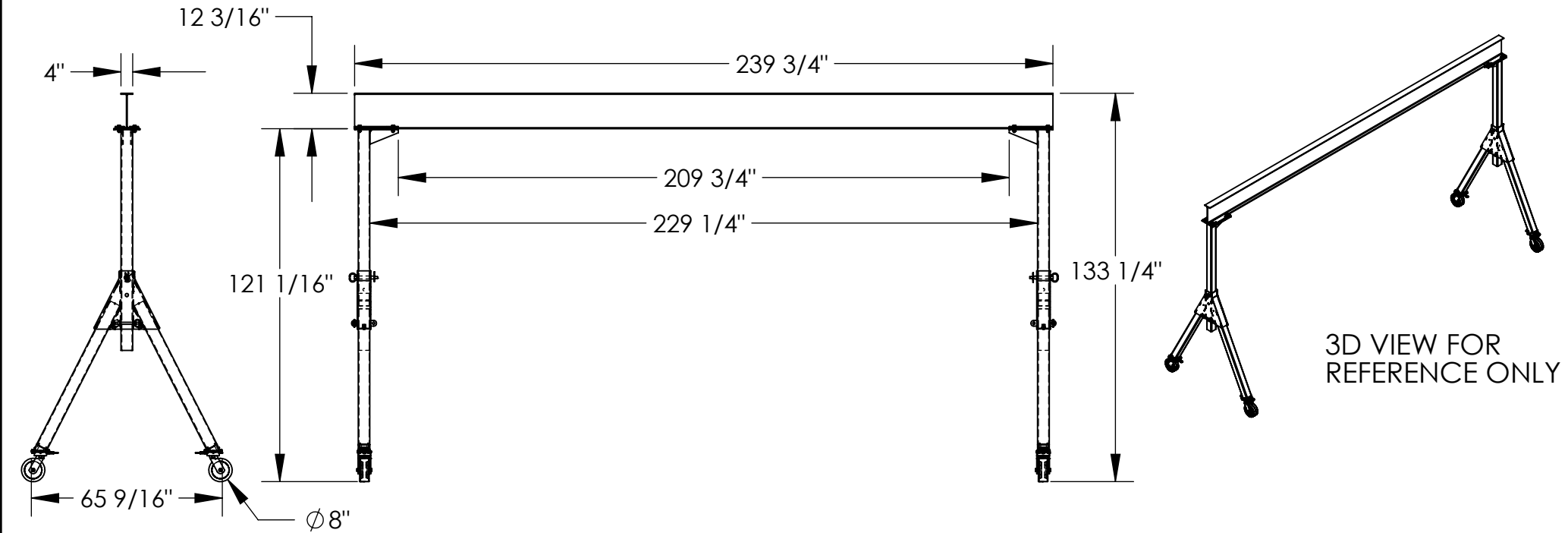


FIXED STEEL GANTRY CRANE - KNOCKDOWN - FHSN-4-20

APPROX WEIGHT: 966.57 lbs. DOES NOT INCLUDE WEIGHT OF POWER OR PACKAGING!!!

*** ANY ADDITIONS, DELETIONS, OR OMISSIONS MUST BE CORRECTED ON THIS DRAWING AS THIS DRAWING WILL BE CONSIDERED ALL INCLUSIVE ***

ALL GRAPHICS PROVIDED ARE FOR REFERENCE ONLY. IF CERTAIN DIMENSIONS ARE CRITICAL PLEASE VERIFY THOSE DIMENSIONS WITH YOUR SALESPERSON



DIMENSION TOLERANCE ± 1/4"

STANDARD FEATURES

MODEL NUMBER IS FHSN-4-20
 CAPACITY IS 4,000 LBS.
 BASE WIDTH IS 65 9/16"
 OVERALL HEIGHT IS 133 1/4"
 I-BEAM HEIGHT IS 12 3/16"
 I-BEAM FLANGE WIDTH IS 4"
 OVERALL I-BEAM LENGTH IS 239 3/4"
 USABLE I-BEAM LENGTH IS 209 3/4"
 UNDER I-BEAM HEIGHT IS 121 1/16"
 CASTERS: (4) Ø8" X 3" WIDE PHENOLIC SWIVEL CASTERS WITH FOUR LOCKING POSITIONS

SPECIAL FEATURES

NONE

| | | |
|-----------------|--|------------------------------------|
| APPROVAL | I, THE UNDERSIGNED, AGREE THAT THE PRODUCT AS REPRESENTED SATISFIES DESIGN AND DIMENSION REQUIREMENTS. I ALSO ACKNOWLEDGE MY DUTY TO CONFIRM PRODUCT AND INSTALLATION COMPLIANCE WITH ALL APPLICABLE FEDERAL, STATE AND LOCAL REGULATIONS AND STANDARDS. | |
| | UNITS REQUIRING APPROVAL DRAWINGS OR MODIFIED ARE NON-RETURNABLE | |
| | <input type="checkbox"/> As drawn | <input type="checkbox"/> As marked |
| | Signed: _____ | Date: _____ |
| | Printed Name: _____ | |

LEAD TIME WILL START UPON RECEIPT OF SIGNED APPROVAL DRAWING

| | | |
|----------------------|----------------|------------|
| DISTRIBUTOR'S NAME: | | P.O.# |
| VESTIL MANUFACTURING | | X |
| DRAWN BY: MTS | DATE: 02/27/15 | W.O.# |
| REFERENCE: X | SCALE: 1:50 | X |
| QUOTED LEAD TIME: X | QUOTE # | FILE NAME: |
| | X | 28-007-382 |