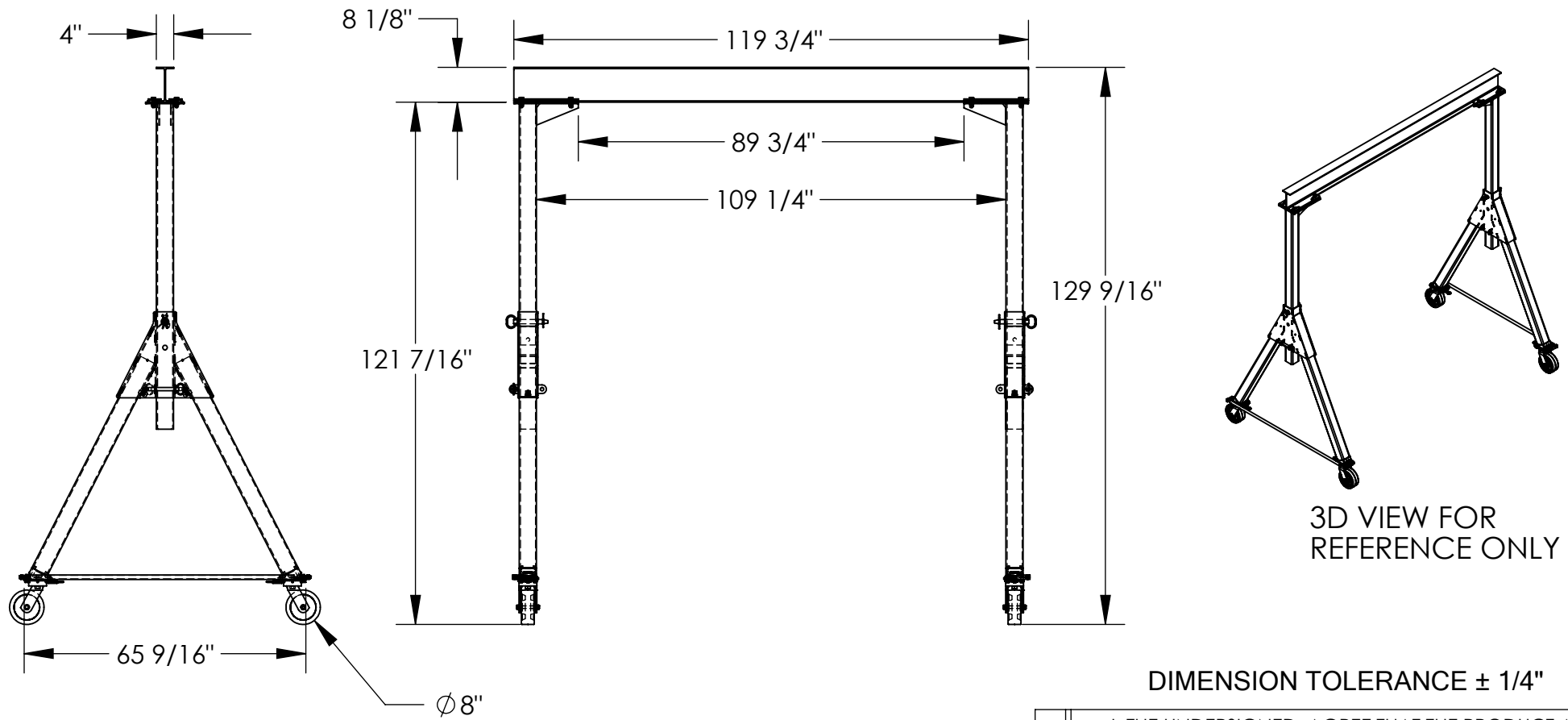


# FIXED STEEL GANTRY CRANE - KNOCKDOWN - FHSN-6-10

APPROX WEIGHT: 765.25 lbs.  
 DOES NOT INCLUDE WEIGHT OF POWER OR PACKAGING!!!

\*\*\* ANY ADDITIONS, DELETIONS, OR OMISSIONS MUST BE CORRECTED ON THIS DRAWING AS THIS DRAWING WILL BE CONSIDERED ALL INCLUSIVE \*\*\*

ALL GRAPHICS PROVIDED ARE FOR REFERENCE ONLY. IF CERTAIN DIMENSIONS ARE CRITICAL PLEASE VERIFY THOSE DIMENSIONS WITH YOUR SALESPERSON



DIMENSION TOLERANCE  $\pm 1/4"$

## STANDARD FEATURES

- MODEL NUMBER IS FHSN-6-10
- CAPACITY IS 6,000 LBS.
- BASE WIDTH IS  $65 \frac{9}{16}$ "
- OVERALL HEIGHT IS  $129 \frac{9}{16}$ "
- I-BEAM HEIGHT IS  $8 \frac{1}{8}$ "
- I-BEAM FLANGE WIDTH IS 4"
- OVERALL I-BEAM LENGTH IS  $119 \frac{3}{4}$ "
- USABLE I-BEAM LENGTH IS  $89 \frac{3}{4}$ "
- UNDER I-BEAM HEIGHT IS  $121 \frac{7}{16}$ "
- CASTERS: (4)  $\varnothing 8"$  X 3" WIDE PHENOLIC SWIVEL CASTERS WITH FOUR LOCKING POSITIONS

## SPECIAL FEATURES

NONE

<b>APPROVAL</b>	I, THE UNDERSIGNED, AGREE THAT THE PRODUCT AS REPRESENTED SATISFIES DESIGN AND DIMENSION REQUIREMENTS. I ALSO ACKNOWLEDGE MY DUTY TO CONFIRM PRODUCT AND INSTALLATION COMPLIANCE WITH ALL APPLICABLE FEDERAL, STATE AND LOCAL REGULATIONS AND STANDARDS.	
	<b>UNITS REQUIRING APPROVAL DRAWINGS OR MODIFIED ARE NON-RETURNABLE</b>	
	[ ] As drawn	[ ] As marked
Signed: _____		Date: _____
Printed Name: _____		
<b>LEAD TIME WILL START UPON RECEIPT OF SIGNED APPROVAL DRAWING</b>		

DISTRIBUTOR'S NAME:		P.O.#
VESTIL MANUFACTURING		X
DRAWN BY: MTS		W.O.#
DATE: 02/27/15		X
REFERENCE: X	SCALE: 1:36	SALES: X
QUOTED LEAD TIME: X	QUOTE #	FILE NAME:
	X	28-007-383