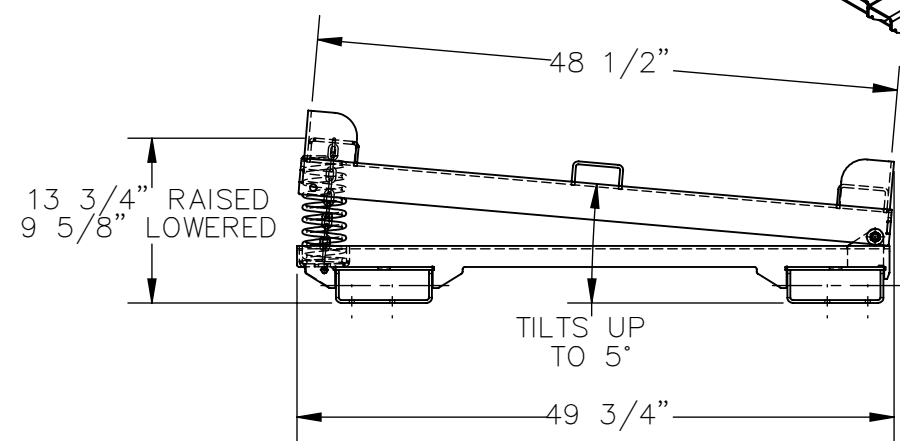
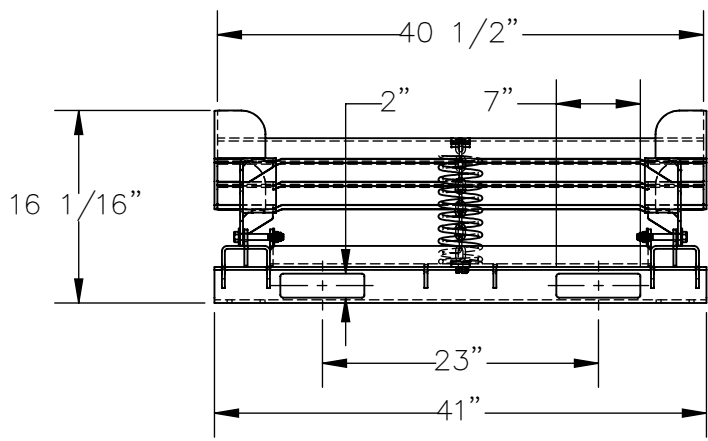
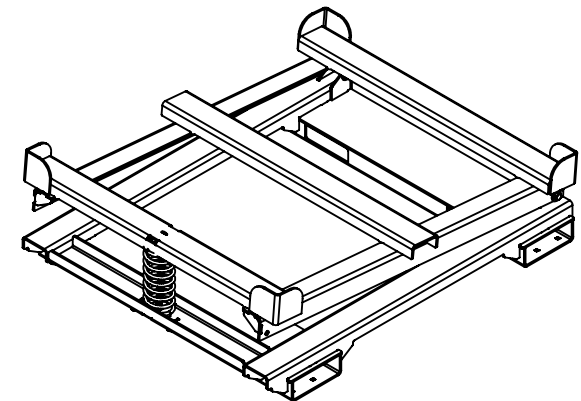


# STAINLESS STEEL IBC TILT STAND W/ FORK POCKETS - IBC-TLT-FP-SS

APPROX WEIGHT: 300.19 lbs.  
 DOES NOT INCLUDE WEIGHT OF POWER OR PACKAGING!!!

\*\*\* ANY ADDITIONS, DELETIONS, OR OMISSIONS MUST BE CORRECTED ON THIS DRAWING AS THIS DRAWING WILL BE CONSIDERED ALL INCLUSIVE \*\*\*  
 ALL GRAPHICS PROVIDED ARE FOR REFERENCE ONLY. IF CERTAIN DIMENSIONS ARE CRITICAL PLEASE VERIFY THOSE DIMENSIONS WITH YOUR SALESPERSON

**NOTE:**  
 \*STAINLESS STEEL IS MILL FINISH (NOT POLISHED).  
 \*WELD OXIDATION WILL NOT BE REMOVED.  
 \*NOT ALL SOLVENTS REACT WELL WITH STAINLESS STEEL. IT IS THE CUSTOMERS RESPONSIBILITY TO DETERMINE IF THE EQUIPMENT WILL WORK FOR THEIR APPLICATION AND IN THEIR ENVIRONMENT.  
 \*IT IS THE CUSTOMERS RESPONSIBILITY TO VERIFY IF THE EQUIPMENT COMPLIES WITH ALL SAFETY LAWS, CODES, AND REGULATIONS.



DIMENSION TOLERANCE ± 1/4"

## STANDARD FEATURES

- MODEL NUMBER IS: IBC-TLT-FP-SS
- MAX CAPACITY IS: 4,400 LBS
- OVERALL WIDTH IS: 43 7/16"
- USABLE WIDTH IS: 40 1/2"
- OVERALL LENGTH IS: 49 3/4"
- USABLE LENGTH IS: 48 1/2"
- OVERALL HEIGHT IS: 16 1/16"
- PLATFORM HEIGHT IS: 13 3/4" RAISED, 9 5/8" LOWERED
- 2" HIGH X 7" WIDE FORK POCKETS ON 23" CENTERS
- ALL STAINLESS STEEL CONSTRUCTION

## SPECIAL FEATURES

NONE

**APPROVAL**

I, THE UNDERSIGNED, AGREE THAT THE PRODUCT AS REPRESENTED SATISFIES DESIGN AND DIMENSION REQUIREMENTS. I ALSO ACKNOWLEDGE MY DUTY TO CONFIRM PRODUCT AND INSTALLATION COMPLIANCE WITH ALL APPLICABLE FEDERAL, STATE AND LOCAL REGULATIONS AND STANDARDS.

**UNITS REQUIRING APPROVAL DRAWINGS OR MODIFIED ARE NON-RETURNABLE**

[ ] As drawn [ ] As marked

Signed: \_\_\_\_\_ Date: \_\_\_\_\_

Printed Name: \_\_\_\_\_

*LEAD TIME WILL START UPON RECEIPT OF SIGNED APPROVAL DRAWING*

DISTRIBUTOR'S NAME:		P.O.#
VESTIL MANUFACTURING		X
DRAWN BY: JGP	DATE: 9/10/2021	W.O.#
REFERENCE: X	SCALE: 1:16	X
QUOTED LEAD TIME: X	QUOTE #	SALES: X
	X	FILE NAME:
		16-007-540