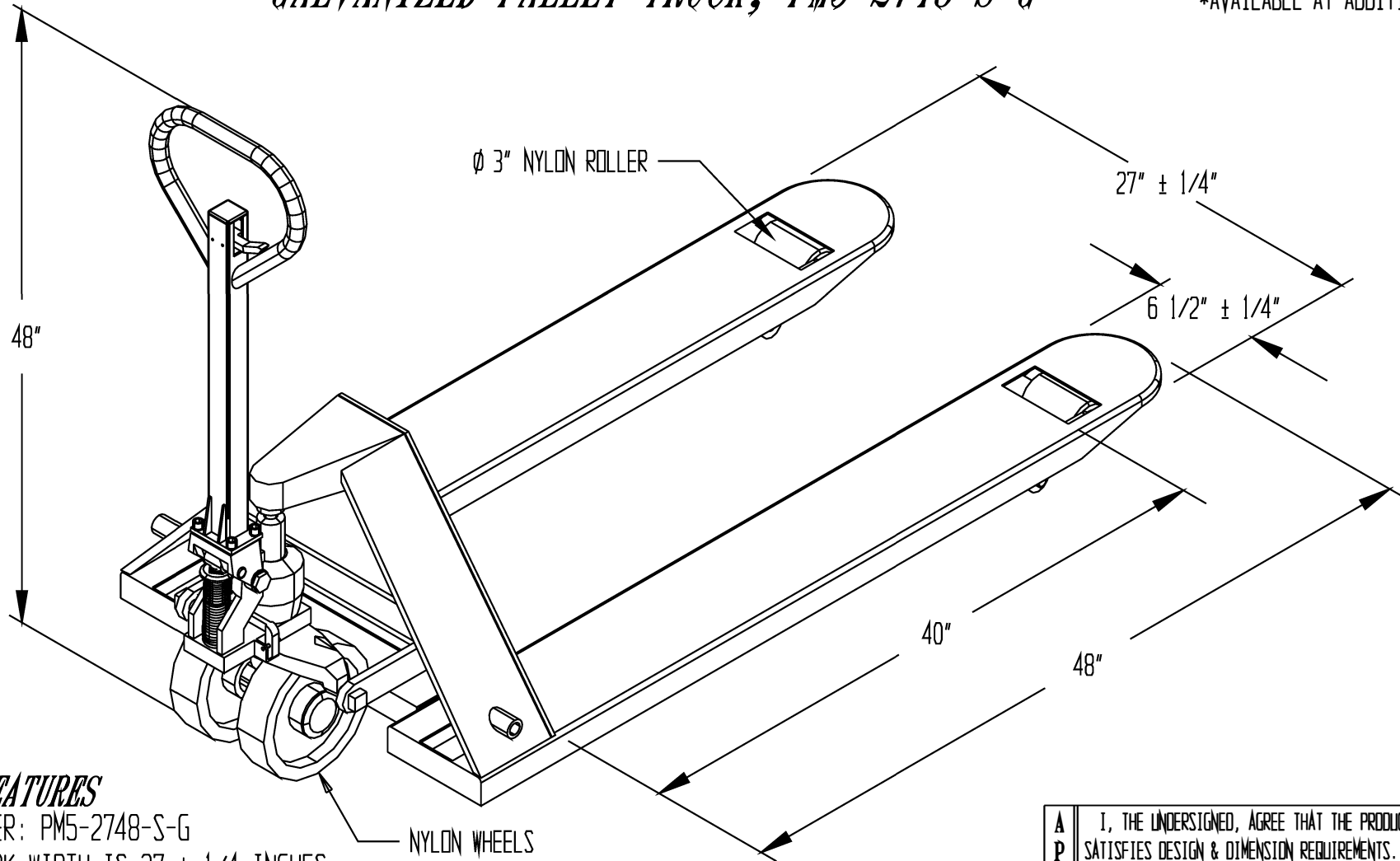


# GALVANIZED PALLET TRUCK, PM5-2748-S-G

\*\*SPECIAL UNITS ARE NON-RETURNABLE  
\*AVAILABLE AT ADDITIONAL COSTS



## STANDARD FEATURES

MODEL NUMBER: PM5-2748-S-G  
 OVERALL FORK WIDTH IS 27 ± 1/4 INCHES  
 OVERALL FORK LENGTH IS 48 INCHES  
 CAPACITY IS 5,500 LBS  
 LOWERED HEIGHT IS 2 7/8 INCHES  
 RAISED HEIGHT IS 7 3/4 INCHES  
 UNIT IS GALVANIZED  
 NYLON WHEELS & ROLLERS

## SPECIAL FEATURES

NONE

A I, THE UNDERSIGNED, AGREE THAT THE PRODUCT AS REPRESENTED  
 P SATISFIES DESIGN & DIMENSION REQUIREMENTS. I ALSO ACKNOWLEDGE  
 P MY DUTY TO CONFIRM PRODUCT & INSTALLATION COMPLIANCE WITH ALL  
 R APPLICABLE FEDERAL, STATE AND LOCAL REGULATIONS & STANDARDS.  
 D **ALL SPECIAL UNITS ARE NON-RETURNABLE**  
 V [ ] As drawn [ ] As marked  
 A Signed: \_\_\_\_\_ Date: \_\_\_\_\_  
 L LEAD TIME WILL START UPON RECEIPT OF SIGNED APPROVAL DRAWING

DISTRIBUTOR'S NAME: <b>VESTIL MFG</b>		P.O.#: -
DRAWN BY: _____		W.O.#: -
DATE: -	SALES: -	
REFERENCE: -	SCALE: -	DRWG./FILE NAME: -
QUOTED LEADTIME: -	QUOTE #: -	

## NOTE !!

PUMP ASSEMBLY & THRUST PLATE ARE CHROME PLATED ALL OTHERS ARE GALVANIZED