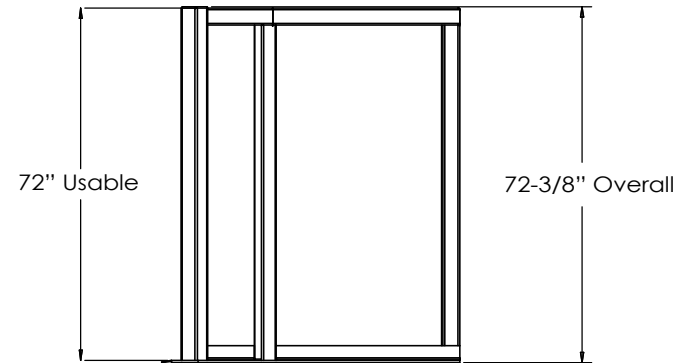
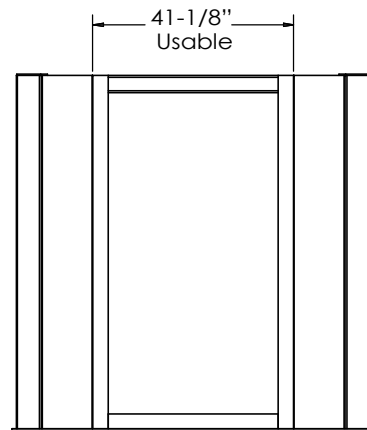
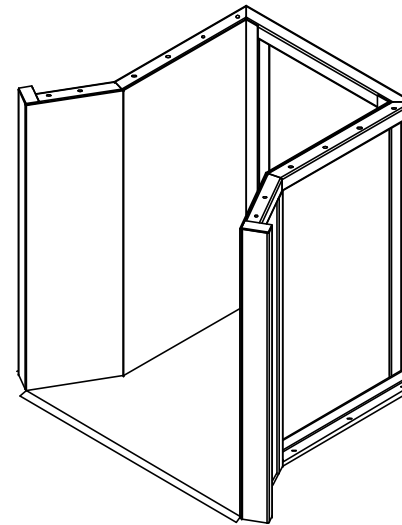
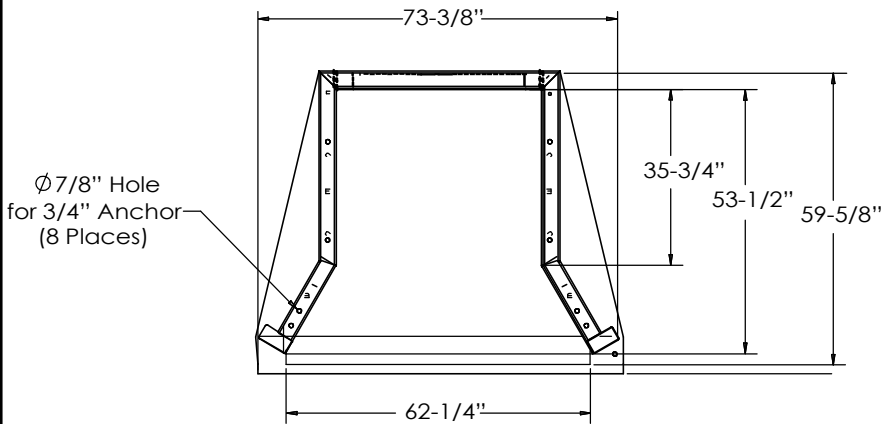


PALLET WEDGE- PW-7200

APPROX WEIGHT: lbs.
 DOES NOT INCLUDE WEIGHT OF POWER OR PACKAGING!!!

*** ANY ADDITIONS, DELETIONS, OR OMISSIONS MUST BE CORRECTED ON THIS DRAWING AS THIS DRAWING WILL BE CONSIDERED ALL INCLUSIVE ***

ALL GRAPHICS PROVIDED ARE FOR REFERENCE ONLY. IF CERTAIN DIMENSIONS ARE CRITICAL PLEASE VERIFY THOSE DIMENSIONS WITH YOUR SALESPERSON



STANDARD FEATURES

- MODEL NUMBER: PW-7200
- OVERALL WIDTH: 73 3/8"
- USABLE WIDTH: 41 1/8"
- OVERALL DEPTH: 53 1/2"
- OVERALL HEIGHT: 72 3/8"
- USABLE HEIGHT: 72"
- DURABLE LIQUID PAINTED BLUE FINISH
- PALLET SIZE: 40" W X 48" LG
- PALLET CAPACITY: 12 PALLETS @ 6" TALL,
16 PALLETS @ 4.5" TALL

SHIPPING DIM:
 75" W X 62" D X 76" H

DIMENSION TOLERANCE ± 1/4"

**A
P
P
R
O
V
A
L**

I, THE UNDERSIGNED, AGREE THAT THE PRODUCT AS REPRESENTED SATISFIES DESIGN AND DIMENSION REQUIREMENTS. I ALSO ACKNOWLEDGE MY DUTY TO CONFIRM PRODUCT AND INSTALLATION COMPLIANCE WITH ALL APPLICABLE FEDERAL, STATE AND LOCAL REGULATIONS AND STANDARDS.

UNITS REQUIRING APPROVAL DRAWINGS OR MODIFIED ARE NON-RETURNABLE

As drawn As marked

Signed: _____ Date: _____

Printed Name: _____

LEAD TIME WILL START UPON RECEIPT OF SIGNED APPROVAL DRAWING

DISTRIBUTOR'S NAME:		P.O.#
VESTIL MANUFACTURING		X
DRAWN BY: CRA		W.O.#
DATE: 11/15/2022		X
REFERENCE: X	SCALE: 1:82	SALES: X
QUOTED LEAD TIME: X	QUOTE #	FILE NAME:
	X	PW-7200