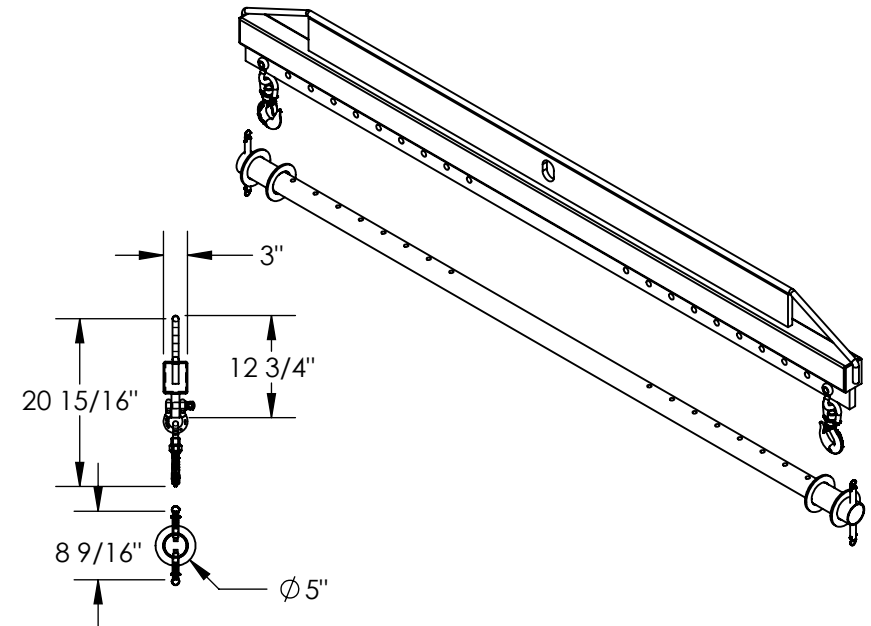
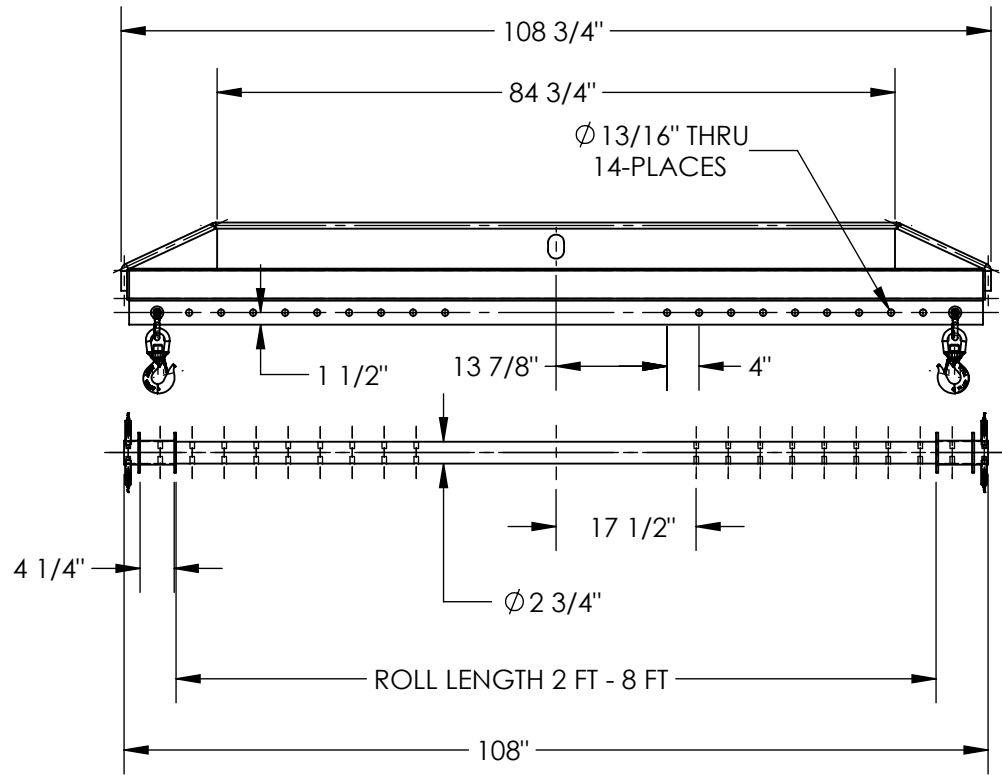


SPREADER BEAM ROLL LIFTER - SBRL-80

APPROX WEIGHT: 483.77 lbs.
DOES NOT INCLUDE WEIGHT OF POWER OR PACKAGING!!!

*** ANY ADDITIONS, DELETIONS, OR OMISSIONS MUST BE CORRECTED ON THIS DRAWING AS THIS DRAWING WILL BE CONSIDERED ALL INCLUSIVE ***

ALL GRAPHICS PROVIDED ARE FOR REFERENCE ONLY. IF CERTAIN DIMENSIONS ARE CRITICAL PLEASE VERIFY THOSE DIMENSIONS WITH YOUR SALESPERSON



STANDARD FEATURES

MODEL NUMBER IS SBRL-80
OVERALL LENGTH IS 108 3/4"
OVERALL WIDTH IS 5"
OVERALL HEIGHT IS 20 15/16"
UNIFORM CAPACITY IS 8,000 LBS.
MAX. ROLL LENGTH IS 8'
CORE ROD IS 2 3/4"
TOUGH BAKED IN POWDER COATED BLUE FINISH
STIFFENER BAR IS UNPAINTED
WIDTH IS ADJUSTABLE ON 4" INCREMENTS.
INCLUDES TWO OF SLING SL-4-F-4 (NOT SHOWN)

SPECIAL FEATURES

NONE

DIMENSION TOLERANCE ± 1/4"

APPROVAL

I, THE UNDERSIGNED, AGREE THAT THE PRODUCT AS REPRESENTED SATISFIES DESIGN AND DIMENSION REQUIREMENTS. I ALSO ACKNOWLEDGE MY DUTY TO CONFIRM PRODUCT AND INSTALLATION COMPLIANCE WITH ALL APPLICABLE FEDERAL, STATE AND LOCAL REGULATIONS AND STANDARDS.

UNITS REQUIRING APPROVAL DRAWINGS OR MODIFIED ARE NON-RETURNABLE

[] As drawn [] As marked

Signed: _____ Date: _____

Printed Name: _____

LEAD TIME WILL START UPON RECEIPT OF SIGNED APPROVAL DRAWING

DISTRIBUTOR'S NAME:		P.O.#
VESTIL MANUFACTURING		X
DRAWN BY: RPS		DATE: 9/26/2012
REFERENCE: X		SCALE: 1:24
QUOTED LEAD TIME: X	QUOTE #	FILE NAME:
X	X	08-007-251