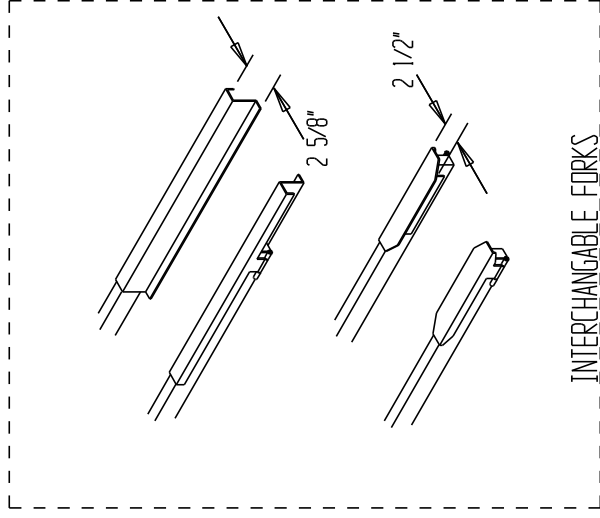
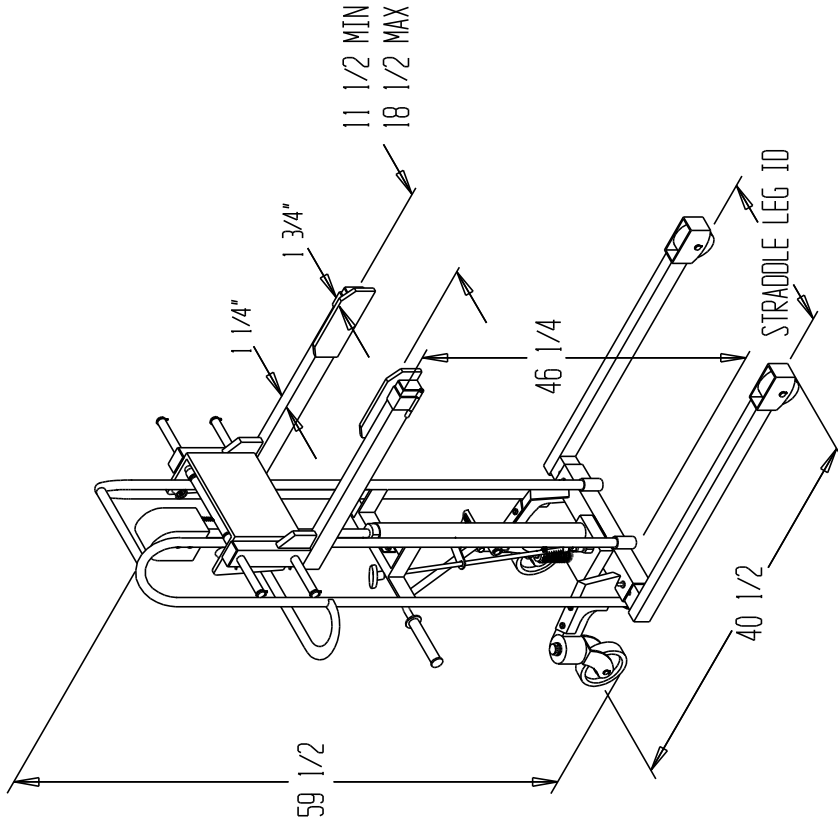


# ADJUSTABLE BOX STACKER, ABS-130



PRODUCTION WILL START UPON  
RECEIPT OF SIGNED APPROVAL  
DRAWING

## APPROVAL

I, the undersigned, hereby approve this print  
 As drawn     As marked  
 This includes my approval of design & dimensions.  
 Signed: \_\_\_\_\_  
 Date: \_\_\_\_\_

## SPECIAL FEATURES:

NONE

## STANDARD FEATURES

- MODEL NUMBER: ABS-130
- FORK LENGTH IS 19-1/2"
- RAISED HEIGHT OF 42-1/4"
- LOWERED HEIGHT OF 2-3/4"
- STRADDLE LEG ID - MIN 15 3/8" MAX 21 1/8"
- STRADDLE LEG OD - MIN 18 5/8" MAX 24 3/8"
- LIFTING CAPACITY IS 330 LBS.
- "L" AND "T" HOLDING BRACKETS

DISTRIBUTOR'S NAME:

**T & S EQUIPMENT**

P.O.#: -

W.O.#: -

DRAWN BY: -

DATE: -

SALES: -

REFERENCE:

\*\*SPECIAL UNITS ARE NON-RETURNABLE  
 \*AVAILABLE AT ADDITIONAL COSTS

scale:

30-007-030