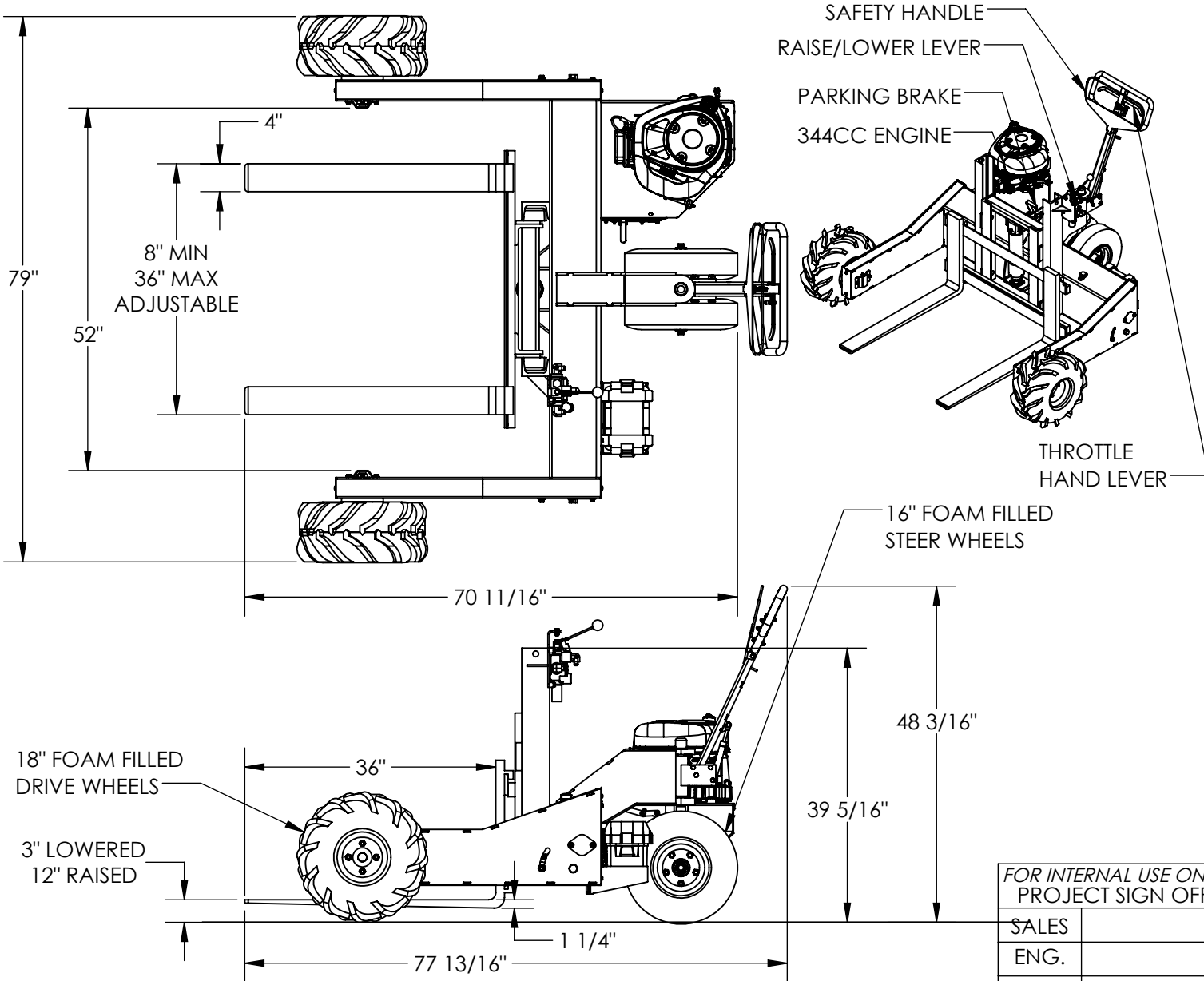


GAS POWERED ALL TERRAIN PALLET TRUCK - ALL-T-2-GPT-HD

ANY ADDITIONS, DELETIONS, OR OMISSIONS MUST BE CORRECTED ON THIS DRAWING AS THIS DRAWING WILL BE CONSIDERED ALL INCLUSIVE

APPROX WEIGHT: 1055 lbs.

DOES NOT INCLUDE WEIGHT OF POWER OR PACKAGING!!!



FOR INTERNAL USE ONLY	
PROJECT SIGN OFF	
SALES	
ENG.	
FAB.	
POWER	

ALL GRAPHICS PROVIDED ARE FOR REFERENCE ONLY. IF CERTAIN DIMENSIONS ARE CRITICAL PLEASE VERIFY THOSE DIMENSIONS WITH YOUR SALESPERSON
DIMENSION TOLERANCE ± 1"

- STANDARD FEATURES**
- MODEL NUMBER IS ALL-T-2-GPT-HD
 - CAPACITY IS 2,000 LBS
 - OVERALL WIDTH IS 79"
 - STRADDLE WIDTH IS 52"
 - FORKS ARE ADJUSTABLE FROM 8" TO 36"
 - FORKS ARE 1 1/4" THICK X 4" WIDE X 36" LONG
 - OVERALL LENGTH IS 77 13/16"
 - OVERALL HEIGHT IS 48 3/16"
 - 18" FOAM FILLED FRONT WHEELS
 - SAFETY HANDLE WITH FORWARD/NEUTRAL/REVERSE
 - 344CC BRIGGS AND STRATTON ENGINE WITH ELECTRIC START
 - HAND LEVER TO CONTROL LIFT/LOWER
 - DURABLE LIQUID PAINT BLUE FINISH

APPROVAL

I, THE UNDERSIGNED, AGREE THAT THE PRODUCT AS REPRESENTED SATISFIES DESIGN AND DIMENSION REQUIREMENTS. I ALSO ACKNOWLEDGE MY DUTY TO CONFIRM PRODUCT AND INSTALLATION COMPLIANCE WITH ALL APPLICABLE FEDERAL, STATE AND LOCAL REGULATIONS AND STANDARDS.

UNITS REQUIRING APPROVAL DRAWINGS OR MODIFIED ARE NON-RETURNABLE

[] As drawn [] As marked

Signed: _____ Date: _____

Printed Name: _____

LEAD TIME WILL START UPON RECEIPT OF SIGNED APPROVAL DRAWING

DISTRIBUTOR'S NAME:		P.O.#
VESTIL MANUFACTURING		X
DRAWN BY: KGH		W.O.#
DATE: 6/25/2018		X
REFERENCE: X	SCALE: 1:22	SALES: X
QUOTED LEAD TIME: X	QUOTE # X	FILE NAME:
		50-007-018