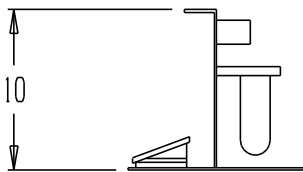
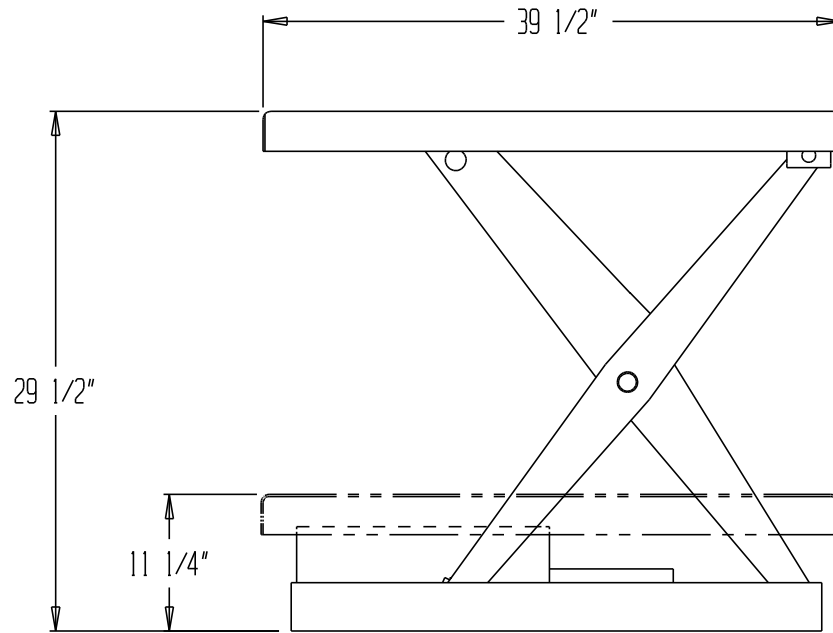
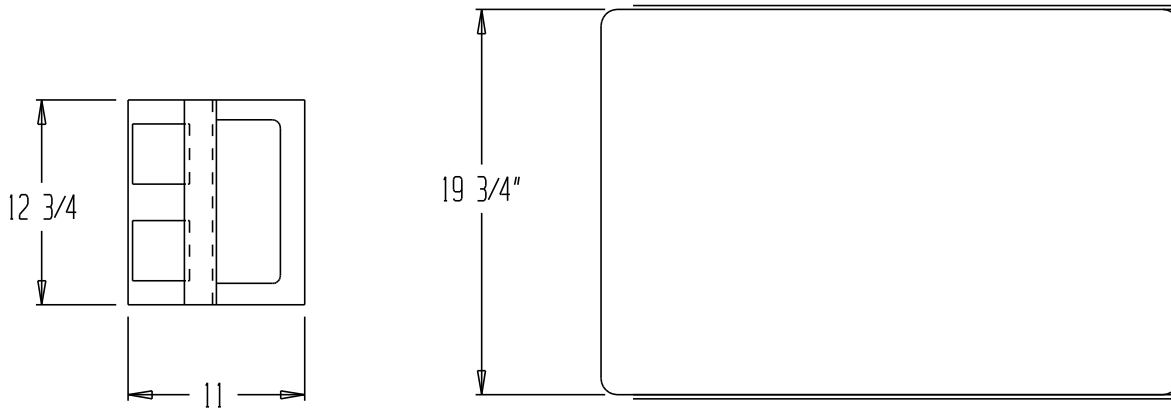


PNEUMATIC SCISSOR LIFT TABLE, AT-10



FOOT CONTROL
(W/ FILTER REGULATOR)

STANDARD FEATURES

- MODEL NUMBER: AT-10
- CAPACITY: 200 LBS.
- PLATFORM WIDTH: 19 1/2"
- PLATFORM LENGTH: 39 1/2"
- FRAME WIDTH: 19 1/4"
- FRAME LENGTH: 39 1/2"
- RAISED HEIGHT: 29 1/2"
- LOWERED HEIGHT: 11 1/4"
- COLOR: BLUE
- AIR POWERED
- OPERATION: FOOT CONTROL W/ 20" HOSE

SPECIAL FEATURES

NONE

PRODUCTION WILL START UPON
RECEIPT OF SIGNED APPROVAL
DRAWING

**SPECIAL UNITS ARE NON-RETURNABLE
*AVAILABLE AT ADDITIONAL COSTS

All graphics provided are for reference only.
If certain dimensions are critical please
verify those dimensions with your salesperson

**A
P
P
R
O
V
A
L**

I, THE UNDERSIGNED, AGREE THAT THE PRODUCT AS REPRESENTED SATISFIES DESIGN & DIMENSION REQUIREMENTS. I ALSO ACKNOWLEDGE MY DUTY TO CONFIRM PRODUCT & INSTALLATION COMPLIANCE WITH ALL APPLICABLE FEDERAL, STATE AND LOCAL REGULATIONS & STANDARDS.

UNITS REQUIRING APPROVAL DRAWINGS OR MODIFIED ARE NON-RETURNABLE
 As drawn As marked

Signed: _____ Date: _____
 Printed Name _____
 LEAD TIME WILL START UPON RECEIPT OF SIGNED APPROVAL DRAWING

DISTRIBUTOR'S NAME: VESTIL MANUFACTURING		P.O.#: -
DRAWN BY: -		DATE: 3-25-14
REFERENCE: -		SCALE: 1:40
QUOTED LEADTIME: -		QUOTE #: -
		SALES: -
		DRWG. FILE NAME: AT-10