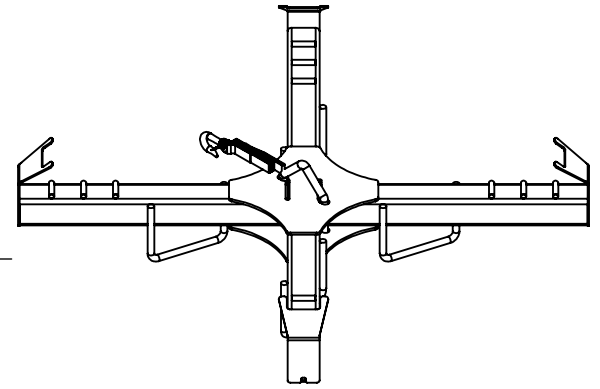
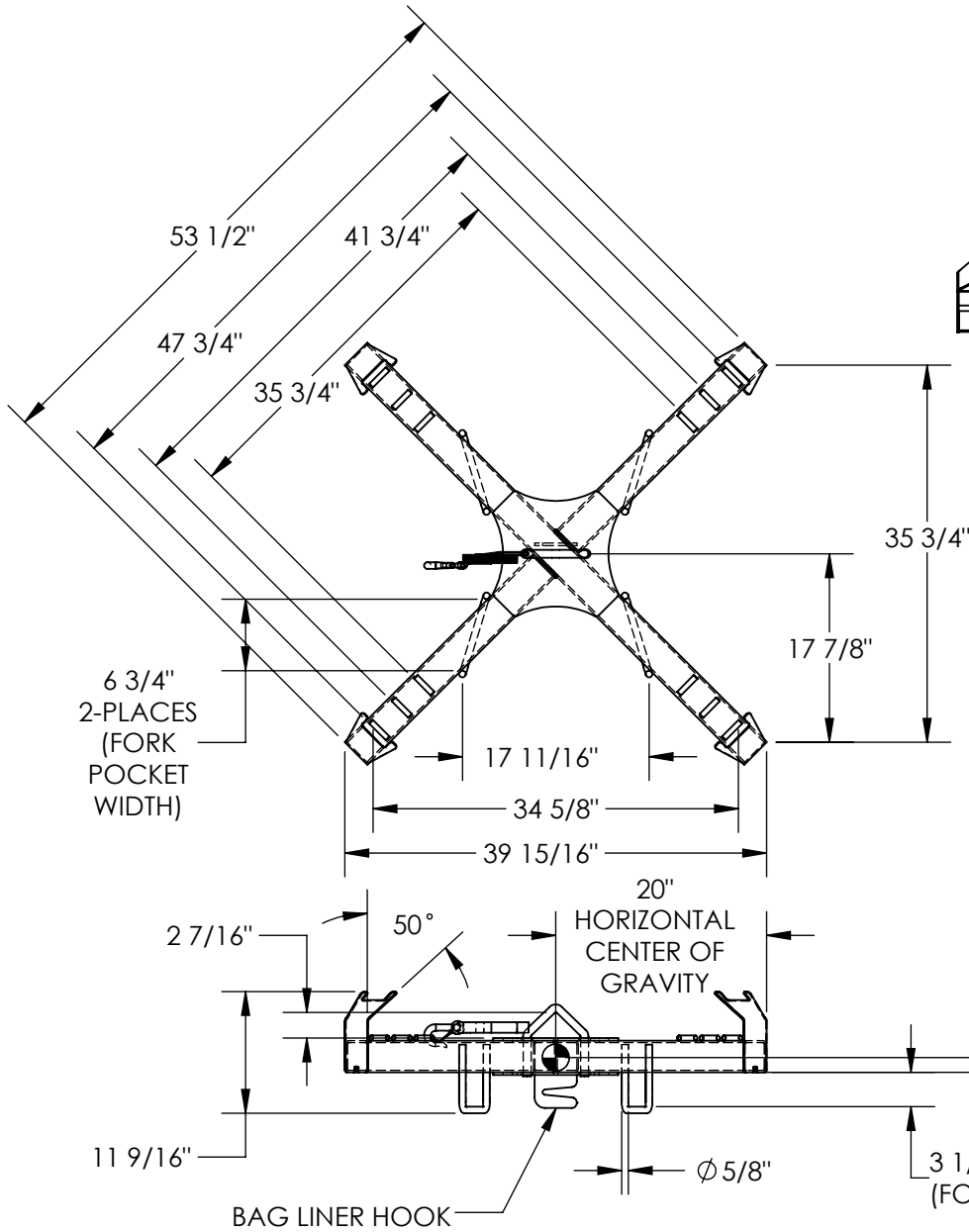


BULK BAG LIFTER - BBL-4

APPROX WEIGHT: 90.48 lbs.
 DOES NOT INCLUDE WEIGHT OF POWER OR PACKAGING!!!

ANY ADDITIONS, DELETIONS, OR OMISSIONS MUST BE CORRECTED ON THIS DRAWING AS THIS DRAWING WILL BE CONSIDERED ALL INCLUSIVE



APPROX. WEIGHT / LOST LOAD = 91 LBS.
 EFFECTIVE THICKNESS WILL VARY DEPENDING
 ON APPLICATION & TYPE OF FORK TRUCK
 CAPACITY = 4,000 # EVENLY DISTRIBUTED

NEVER EXCEED LOAD CENTER RATING PER
 FORK TRUCK MANUFACTURER'S GUIDELINES.
 DO NOT USE THIS FORK TRUCK ATTACHMENT IF
 LOAD WILL EXCEED FORK TRUCK
 MANUFACTURER'S LOAD CENTER RATING.

ALL GRAPHICS PROVIDED ARE FOR REFERENCE ONLY. IF CERTAIN DIMENSIONS
 ARE CRITICAL PLEASE VERIFY THOSE DIMENSIONS WITH YOUR SALESPERSON

STANDARD FEATURES

- MODEL NUMBER IS BBL-4
- CAPACITY IS 4,000 LBS
EVENLY DISTRIBUTED
- WELDED STEEL CONSTRUCTION
- OVERALL WIDTH IS 53 1/2"
- USABLE WIDTH IS UP TO 47 3/4"
DEPENDING ON BAG STRAPS
- OVERALL LENGTH IS 39 15/16"
- USABLE LENGTH IS 34 5/8"
- OVERALL HEIGHT IS 11 9/16"
- BAG LINER HOOK
- INCLUDES 48 1/2" LG FORK
TRUCK RESTRAINT STRAP
- TOUGH BAKED IN POWDER COATED BLUE FINISH

SPECIAL FEATURES

NONE

DIMENSION TOLERANCE ± 1/4"

APPROVAL	I, THE UNDERSIGNED, AGREE THAT THE PRODUCT AS REPRESENTED SATISFIES DESIGN AND DIMENSION REQUIREMENTS. I ALSO ACKNOWLEDGE MY DUTY TO CONFIRM PRODUCT AND INSTALLATION COMPLIANCE WITH ALL APPLICABLE FEDERAL, STATE AND LOCAL REGULATIONS AND STANDARDS.	
	UNITS REQUIRING APPROVAL DRAWINGS OR MODIFIED ARE NON-RETURNABLE	
	[] As drawn [] As marked	
	Signed: _____	Date: _____
Printed Name: _____		
LEAD TIME WILL START UPON RECEIPT OF SIGNED APPROVAL DRAWING		

DISTRIBUTOR'S NAME:		P.O.#
VESTIL MANUFACTURING		X
DRAWN BY: RAL		W.O.#
DATE: 06/17/2014		X
REFERENCE: X	SCALE: 1:18	SALES: X
QUOTED LEAD TIME: X	QUOTE #	FILE NAME:
	X	47-007-011