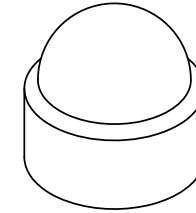


REVISIONS				
ECR	REV.	DESCRIPTION	DATE	INITIAL
1846	A	NOTE ADDED TO HARDWARE	10/30/2013	JCH

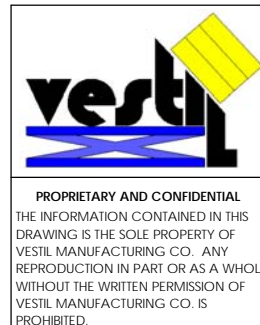
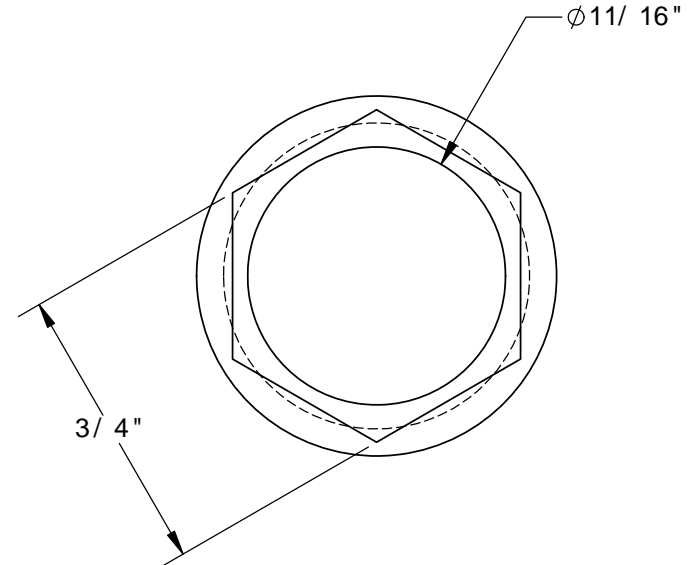
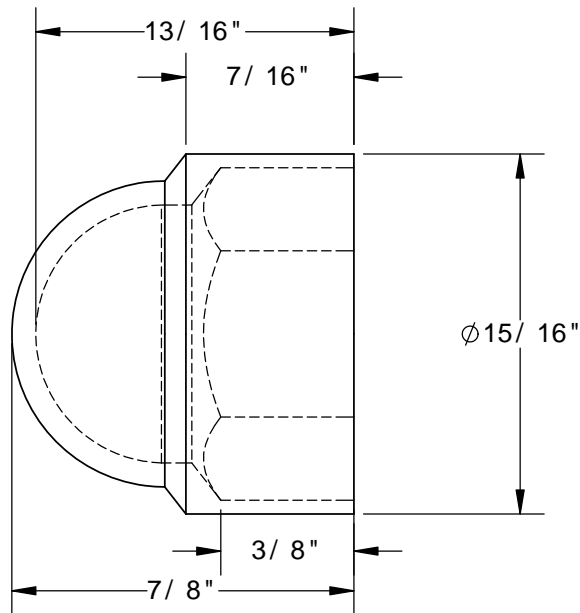


ACTUAL SIZE

NOTE:



1/2" ϕ ANCHOR BOLT
3/4" HEX



UNLESS OTHERWISE SPECIFIED: REMOVE ALL BURRS AND SHARP EDGES		
DIMENSIONS ARE IN INCHES		
CONCENTRIC	.006 TIR	.060 TIR
ANGLES	$\pm 0^{\circ} 30'$	$\pm 1^{\circ} 0'$
DECIMALS	x.xxx $\pm .005$ x.xx $\pm .010$	$\pm .015$
FRACTIONS	$\pm 1/32$	$\pm 1/16$
TOLERANCES	MACHINE	WELDMENT
COMMENTS:		
DO NOT SCALE DRAWING		

Vestil Manufacturing Co.			
DESCRIPTION: FINAL ASSEMBLY W/OUT SHIPPING			
PRODUCT MODEL NO: BC-BK-12-PK			
DRAWN BY: K.YEAKLE	DATE: 06/28/12	SCALE: 2:1	SIZE A
MAT'L: PLASTIC, BLACK			REV A
SHEET 1 OF 1		DWG. NO. 99-024-022	