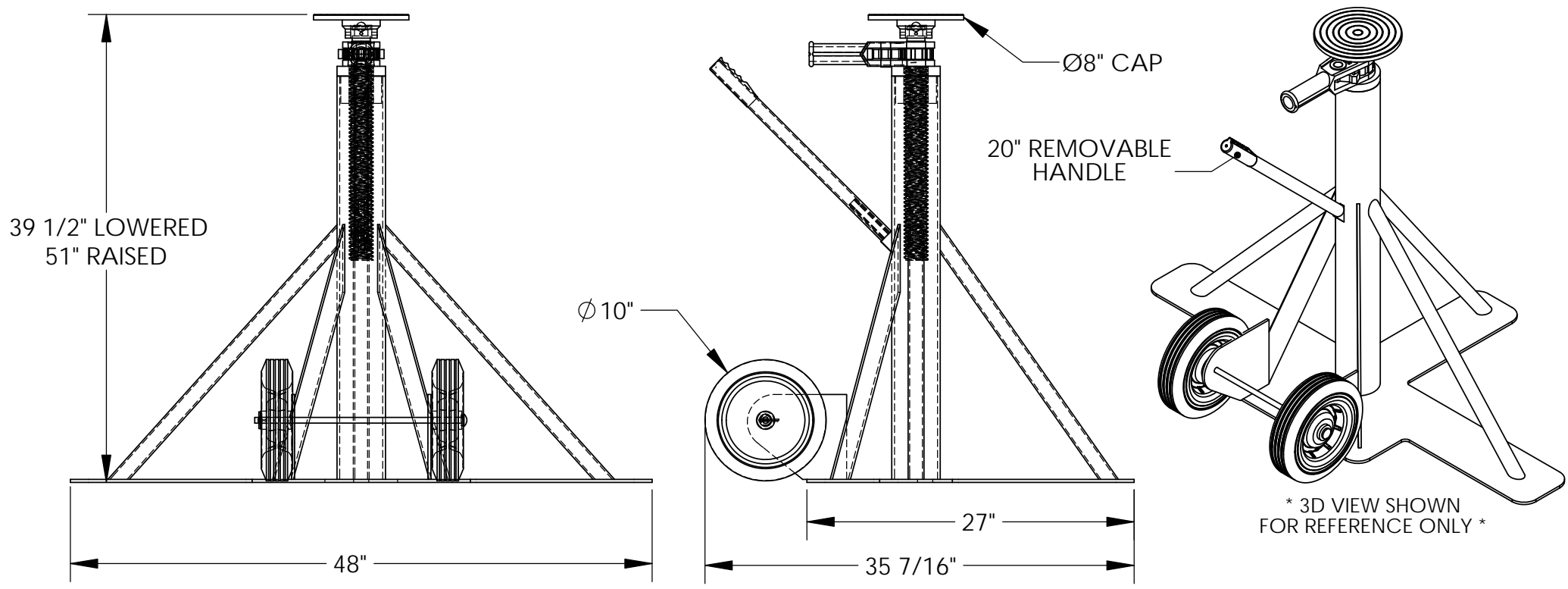


BIG FOOT TRAILER STABILIZING JACK - BFSJ-2748

APPROX WEIGHT: 133.28 lbs.
 DOES NOT INCLUDE WEIGHT OF POWER OR PACKAGING!!!

*** ANY ADDITIONS, DELETIONS, OR OMISSIONS MUST BE CORRECTED ON THIS DRAWING AS THIS DRAWING WILL BE CONSIDERED ALL INCLUSIVE ***

ALL GRAPHICS PROVIDED ARE FOR REFERENCE ONLY. IF CERTAIN DIMENSIONS ARE CRITICAL PLEASE VERIFY THOSE DIMENSIONS WITH YOUR SALESPERSON



STANDARD FEATURES

- MODEL NUMBER: BFSJ-2748
- OVERALL WIDTH: 48"
- OVERALL LENGTH: 35 7/16"
- HANDLE LENGTH: 20"
- SERVICE RANGE: 39 1/2" TO 51"
- LIFTING CAPACITY: 40,000 LBS.(20 TONS)
- STATIC CAPACITY: 100,000 LBS. (50 TONS)
- TOP CAP: 8" DIAMETER
- WHEEL SIZE IS Ø10"
- REMOVABLE HANDLE USED TO MOVE & LIFT JACK
- HANDLE LENGTH IS 20"

SPECIAL FEATURES

NONE

DIMENSION TOLERANCE ± 1/4"

I, THE UNDERSIGNED, AGREE THAT THE PRODUCT AS REPRESENTED SATISFIES DESIGN AND DIMENSION REQUIREMENTS. I ALSO ACKNOWLEDGE MY DUTY TO CONFIRM PRODUCT AND INSTALLATION COMPLIANCE WITH ALL APPLICABLE FEDERAL, STATE AND LOCAL REGULATIONS AND STANDARDS.

ANY MODIFIED UNITS ARE NON-RETURNABLE

As drawn As marked

Signed: _____ Date: _____

Printed Name: _____

LEAD TIME WILL START UPON RECEIPT OF SIGNED APPROVAL DRAWING

DISTRIBUTOR'S NAME: VESTIL MANUFACTURING

P.O.# X

W.O.# X

DRAWN BY: B.NOTHNAGEL DATE: 05/15/2015

SALES: X

REFERENCE: X SCALE: 1:12

FILE NAME: 13-007-002

QUOTED LEAD TIME: X QUOTE # X

FOR INTERNAL USE ONLY PROJECT SIGN OFF	
SALES	
ENG.	
FAB.	
POWER	

MAXIMUM WORKING CAPACITY AT GRADE (%)								
0.00%	0.50%	1.00%	1.50%	2.00%	2.50%	3.00%	3.50%	4.00%
100,000	80,000	66,000	55,000	46,000	41,000	37,000	33,000	29,000