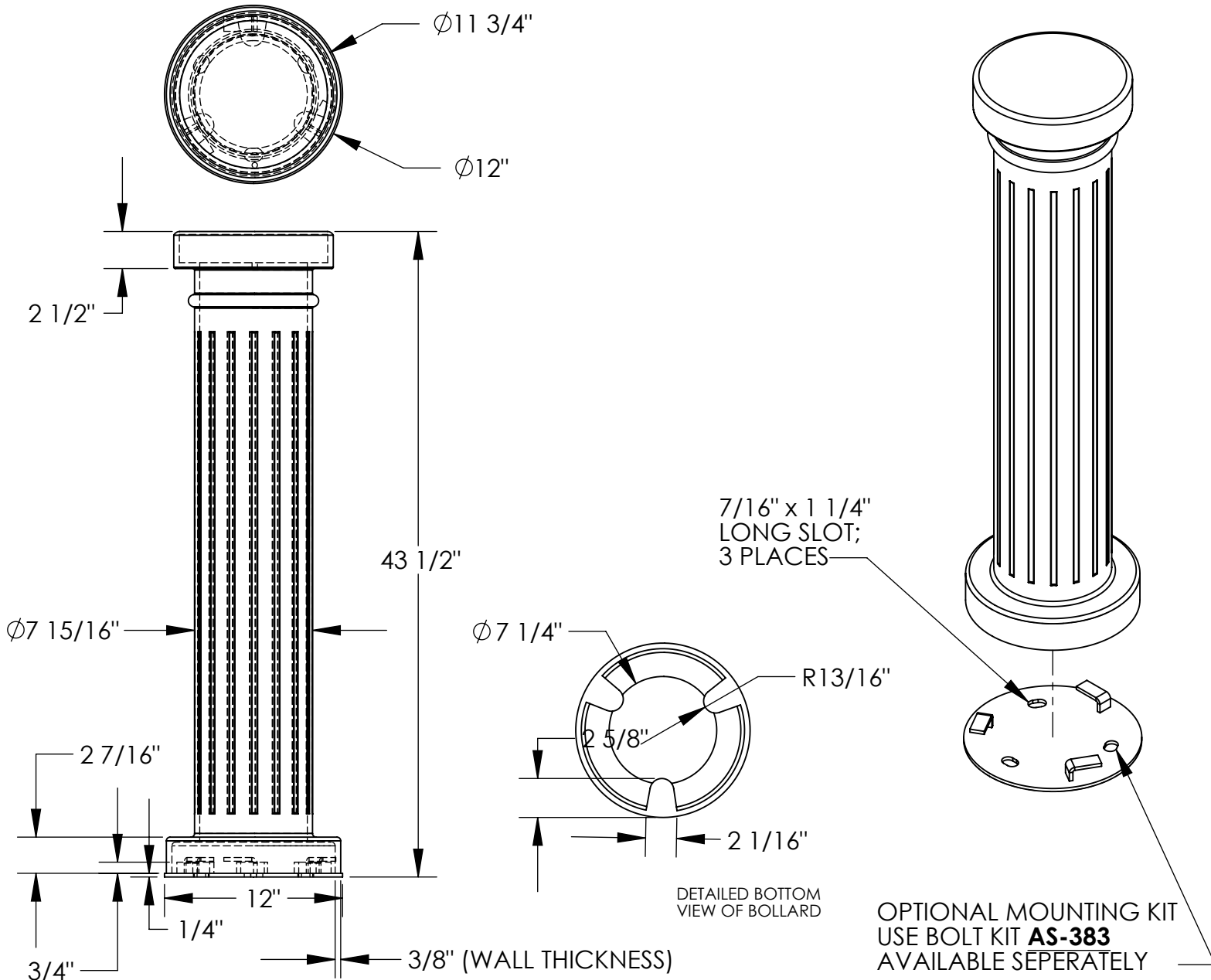


ALUMINUM BOLLARD WITH BASE: BOL-ALUM

APPROXIMATE WEIGHT IS: 51.47 lbs.



ANY ADDITIONS, DELETIONS, OR OMISSIONS MUST BE CORRECTED ON THIS DRAWING AS THIS DRAWING WILL BE CONSIDERED ALL INCLUSIVE

ALL GRAPHICS PROVIDED ARE FOR REFERENCE ONLY. IF CERTAIN DIMENSIONS ARE CRITICAL PLEASE VERIFY THOSE DIMENSIONS WITH YOUR SALESPERSON

ALL SPECIAL UNITS ARE NON-RETURNABLE

STANDARD FEATURES

- MODEL NUMBER IS: BOL-ALUM
- APPROXIMATE WEIGHT IS: 51.32 LBS.
- BASE PIECE DIAMETER IS: 12"
- BOLLARD BASE IS DIAMETER IS: 11 3/4"
- COLUMN DIAMETER IS: 7 15/16"
- OVERALL HEIGHT IS: 43 1/2"
- BOLLARD HEIGHT IS: 43 1/4"
- BOLLARD IS REMOVABLE FROM BASE
- BOLLARD BASE HAS 3 SLOTS TO ANCHOR IT TO THE GROUND

SPECIAL FEATURES

NONE

APPROVAL	I, the undersigned, hereby approve this print. This includes my approval of design & dimensions	
	[] As drawn	[] As marked
	Signed: _____ Date: _____	
	LEAD TIME WILL START UPON RECEIPT OF SIGNED APPROVAL DRAWING	

DISTRIBUTOR'S NAME: VESTIL MANUFACTURING		P.O.# X
DRAWN BY: T. MOORE	DATE: 10/07/08	W.O.# X
REFERENCE: X	SCALE: 1:10	SALES: X
	QUOTE # X	FILE NAME: 23-007-261