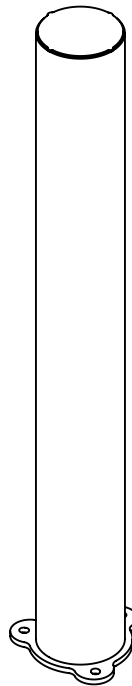
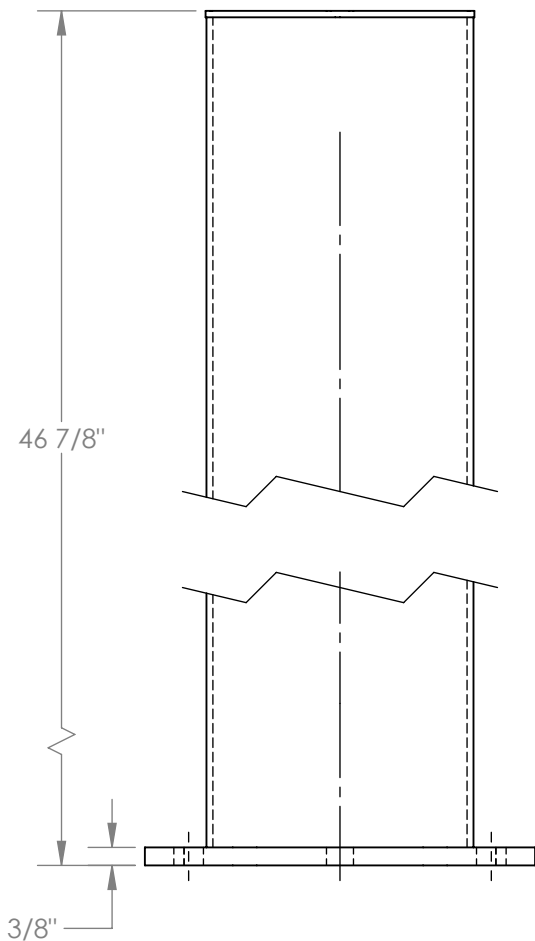
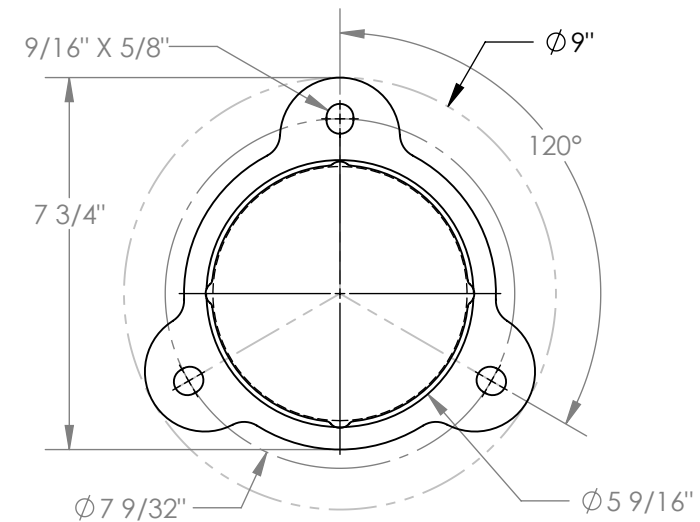


ARCHITECTURAL COLORED BOLLARDS - BOLA-48-5.5-BRN-EB

APPROX WEIGHT: 35.22 lbs.
 DOES NOT INCLUDE WEIGHT OF POWER OR PACKAGING!!!

*** ANY ADDITIONS, DELETIONS, OR OMISSIONS MUST BE CORRECTED ON THIS DRAWING AS THIS DRAWING WILL BE CONSIDERED ALL INCLUSIVE ***

ALL GRAPHICS PROVIDED ARE FOR REFERENCE ONLY. IF CERTAIN DIMENSIONS ARE CRITICAL PLEASE VERIFY THOSE DIMENSIONS WITH YOUR SALESPERSON



STANDARD FEATURES

- MODEL NUMBER IS BOLA-48-5.5-BRN-EB
- OVERALL DIAMETER IS $\phi 9''$
- OVERALL HEIGHT IS 46 7/8"
- PIPE DIAMETER IS: $\phi 5 9/16''$
- LAG MOUNTING PLATE THICKNESS: 3/8"
- LAG DOWN MOUNTING PLATE WITH 1/2" DIA.
- ANCHOR BOLTS (SOLD SEPERATELY) USING THE 9/16" X 5/8" SLOTS
- TOUGH BAKED-IN POWDER-COAT
- EARTH BROWN FINISH

SPECIAL FEATURES

NONE

DIMENSION TOLERANCE $\pm 1/4''$

APPROVAL	I, THE UNDERSIGNED, AGREE THAT THE PRODUCT AS REPRESENTED SATISFIES DESIGN AND DIMENSION REQUIREMENTS. I ALSO ACKNOWLEDGE MY DUTY TO CONFIRM PRODUCT AND INSTALLATION COMPLIANCE WITH ALL APPLICABLE FEDERAL, STATE AND LOCAL REGULATIONS AND STANDARDS.	
	ANY MODIFIED UNITS ARE NON-RETURNABLE	
	[] As drawn [] As marked	
	Signed: _____ Date: _____	
Printed Name: _____		LEAD TIME WILL START UPON RECEIPT OF SIGNED APPROVAL DRAWING

FOR INTERNAL USE ONLY PROJECT SIGN OFF	
SALES	
ENG.	
FAB.	
POWER	

DISTRIBUTOR'S NAME:		P.O.#
VESTIL MANUFACTURING		X
DRAWN BY: TAL		W.O.#
DATE: 05/17/2016		X
REFERENCE: X	SCALE: 1:4	SALES: X
QUOTED LEAD TIME: X	QUOTE #	FILE NAME:
	X	23-007-612-005