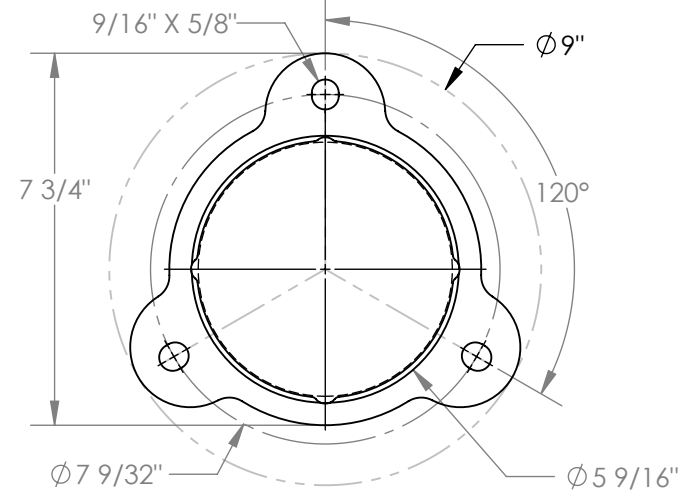


ARCHITECTURAL COLORED BOLLARDS - BOLA-48-5.5-SBZ

APPROX WEIGHT: 35.22 lbs.
 DOES NOT INCLUDE WEIGHT OF POWER OR PACKAGING!!!

*** ANY ADDITIONS, DELETIONS, OR OMISSIONS MUST BE CORRECTED ON THIS DRAWING AS THIS DRAWING WILL BE CONSIDERED ALL INCLUSIVE ***
 ALL GRAPHICS PROVIDED ARE FOR REFERENCE ONLY. IF CERTAIN DIMENSIONS ARE CRITICAL PLEASE VERIFY THOSE DIMENSIONS WITH YOUR SALESPERSON

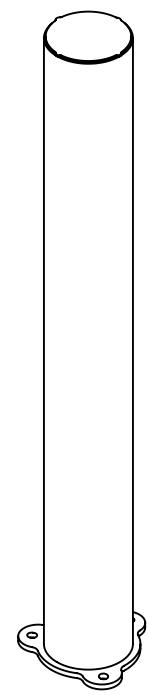
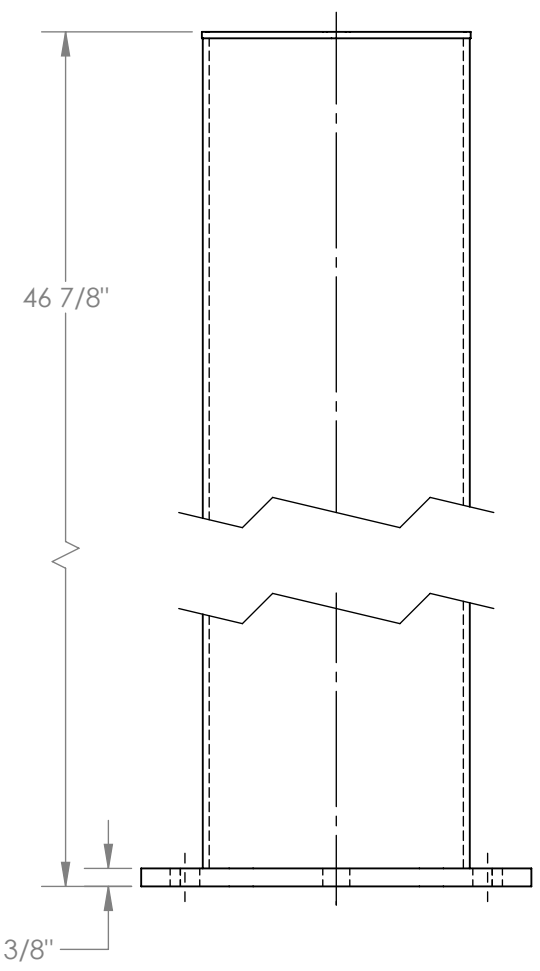


STANDARD FEATURES

- MODEL NUMBER IS BOLA-48-5.5-SBZ
- OVERALL DIAMETER IS $\phi 9''$
- OVERALL HEIGHT IS $46 \frac{7}{8}''$
- PIPE DIAMETER IS: $\phi 5 \frac{9}{16}''$
- LAG MOUNTING PLATE THICKNESS: $\frac{3}{8}''$
- LAG DOWN MOUNTING PLATE WITH $\frac{1}{2}''$ DIA.
- ANCHOR BOLTS (SOLD SEPERATELY) USING THE $\frac{9}{16}'' \times \frac{5}{8}''$ SLOTS
- TOUGH BAKED-IN POWDER-COAT STATUARY BRONZE FINISH

SPECIAL FEATURES

NONE



DIMENSION TOLERANCE $\pm \frac{1}{4}''$

APPROVAL	I, THE UNDERSIGNED, AGREE THAT THE PRODUCT AS REPRESENTED SATISFIES DESIGN AND DIMENSION REQUIREMENTS. I ALSO ACKNOWLEDGE MY DUTY TO CONFIRM PRODUCT AND INSTALLATION COMPLIANCE WITH ALL APPLICABLE FEDERAL, STATE AND LOCAL REGULATIONS AND STANDARDS.	
	ANY MODIFIED UNITS ARE NON-RETURNABLE	
	[] As drawn [] As marked	
	Signed: _____	Date: _____
Printed Name: _____		
LEAD TIME WILL START UPON RECEIPT OF SIGNED APPROVAL DRAWING		

FOR INTERNAL USE ONLY PROJECT SIGN OFF	
SALES	
ENG.	
FAB.	
POWER	

DISTRIBUTOR'S NAME:		P.O.#
VESTIL MANUFACTURING		X
W.O.#		X
DRAWN BY: TAL	DATE: 05/17/2016	SALES: X
REFERENCE: X	SCALE: 1:4	FILE NAME:
QUOTED LEAD TIME: X	QUOTE # X	23-007-612-003