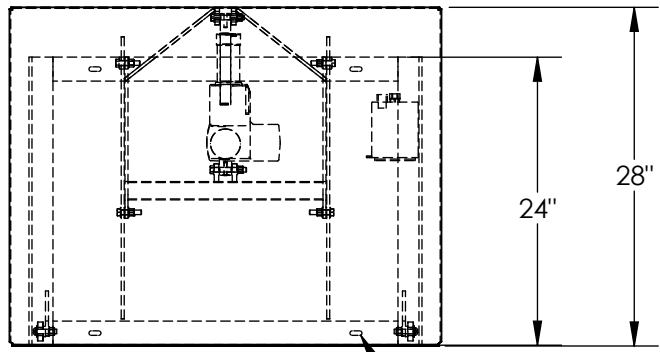


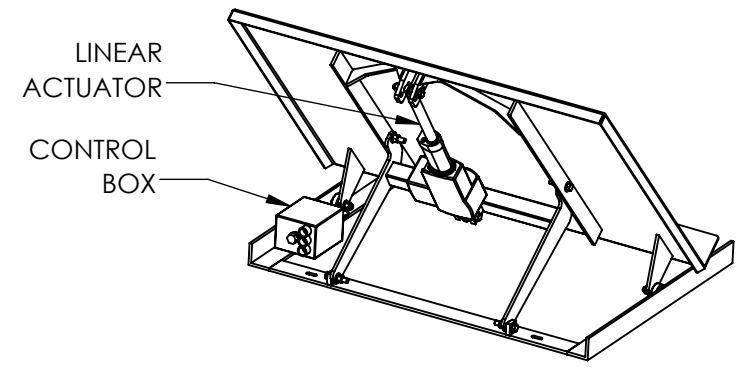
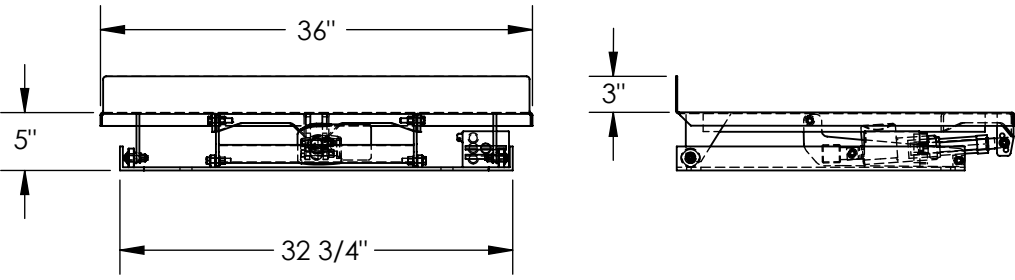
# BENCH TOP TILTER - BTT-5-36

APPROX WEIGHT: 114.15 lbs.  
 DOES NOT INCLUDE WEIGHT OF POWER OR PACKAGING!!!

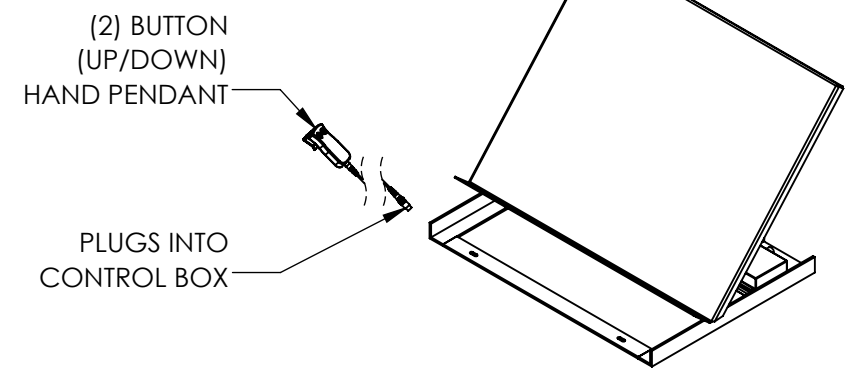
\*\*\* ANY ADDITIONS, DELETIONS, OR OMISSIONS MUST BE CORRECTED ON THIS DRAWING AS THIS DRAWING WILL BE CONSIDERED ALL INCLUSIVE \*\*\*  
 ALL GRAPHICS PROVIDED ARE FOR REFERENCE ONLY. IF CERTAIN DIMENSIONS ARE CRITICAL PLEASE VERIFY THOSE DIMENSIONS WITH YOUR SALESPERSON



Ø 3/8" MOUNTING SLOTS  
 IN BASE FOR INSTALLATION



VIEWS SHOW IN THE  
 UP POSITION AT 45°



## STANDARD FEATURES

- MODEL NUMBER IS BTT-5-36
- MAX. CAPACITY IS 500 LBS.
- PLATFORM WIDTH IS 28"
- PLATFORM LENGTH IS 36"
- PLATFORM HEIGHT IS 5"
- PLATFORM LIP IS 3"
- DEGREES OF TILT: 0° TO 45°
- LINEAR ACTUATED
- PUSH BUTTON HAND PENDANT
- CONTROL WITH 8 FT. LONG CORD
- 115V SINGLE PHASE STANDARD
- BASE FRAME HAS SLOTTED HOLES FOR INSTALLATION
- TOUGH BAKED IN POWDER COATED BLUE FINISH

DIMENSION TOLERANCE ± 1/4"

## SPECIAL FEATURES

NONE

<b>APPROVAL</b>	I, THE UNDERSIGNED, AGREE THAT THE PRODUCT AS REPRESENTED SATISFIES DESIGN AND DIMENSION REQUIREMENTS. I ALSO ACKNOWLEDGE MY DUTY TO CONFIRM PRODUCT AND INSTALLATION COMPLIANCE WITH ALL APPLICABLE FEDERAL, STATE AND LOCAL REGULATIONS AND STANDARDS.	
	<b>UNITS REQUIRING APPROVAL DRAWINGS OR MODIFIED ARE NON-RETURNABLE</b>	
	[ ] As drawn      [ ] As marked	
Signed: _____		Date: _____
Printed Name: _____		
<b>LEAD TIME WILL START UPON RECEIPT OF SIGNED APPROVAL DRAWING</b>		

DISTRIBUTOR'S NAME:		P.O.#
<b>VESTIL MANUFACTURING</b>		X
		W.O.#
DRAWN BY: DEY		X
DATE: 7/06/10		SALES: X
REFERENCE: X	SCALE: 1:16	FILE NAME:
QUOTED LEAD TIME: X	QUOTE # X	03-007-006