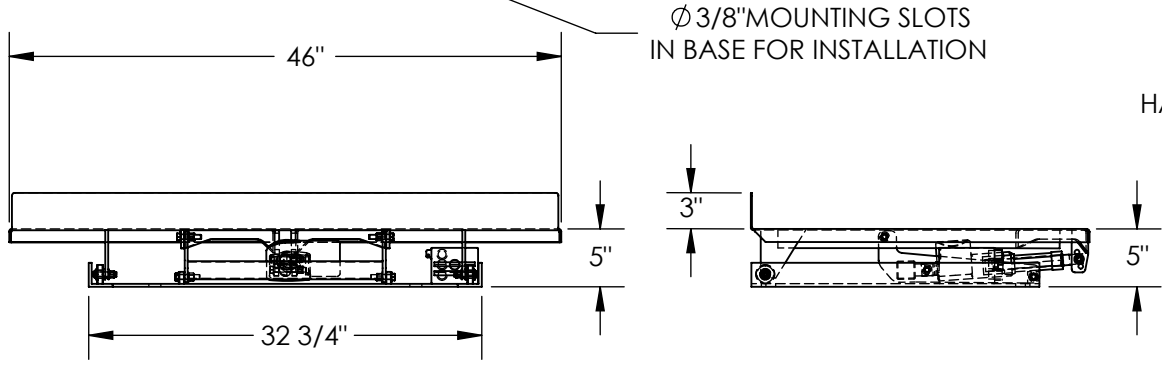
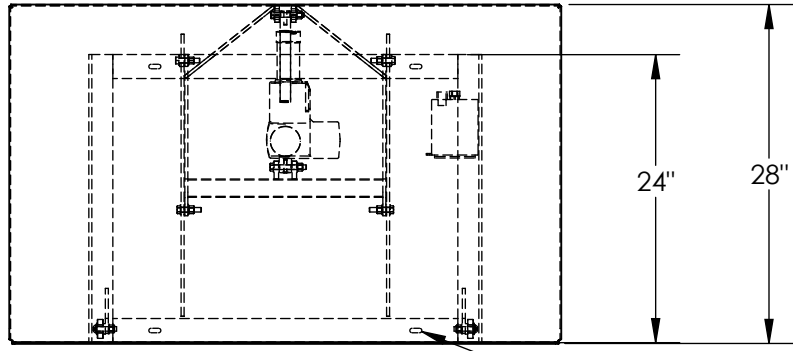


BENCH TOP TILTER - BTT-5-46

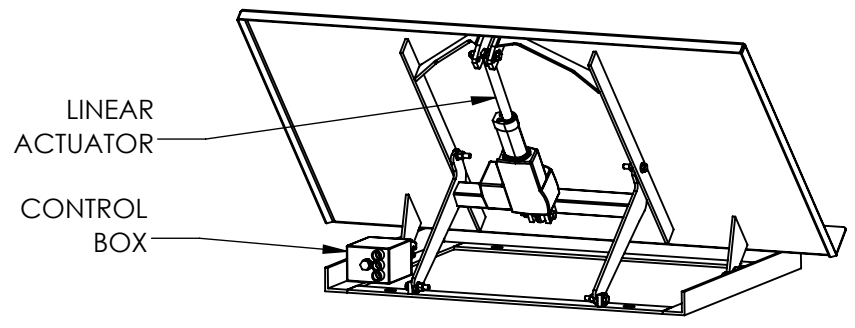
APPROX WEIGHT: 123.67 lbs.
 DOES NOT INCLUDE WEIGHT OF POWER OR PACKAGING!!!

*** ANY ADDITIONS, DELETIONS, OR OMISSIONS MUST BE CORRECTED ON THIS DRAWING AS THIS DRAWING WILL BE CONSIDERED ALL INCLUSIVE ***
 ALL GRAPHICS PROVIDED ARE FOR REFERENCE ONLY. IF CERTAIN DIMENSIONS ARE CRITICAL PLEASE VERIFY THOSE DIMENSIONS WITH YOUR SALESPERSON



Ø 3/8" MOUNTING SLOTS
 IN BASE FOR INSTALLATION

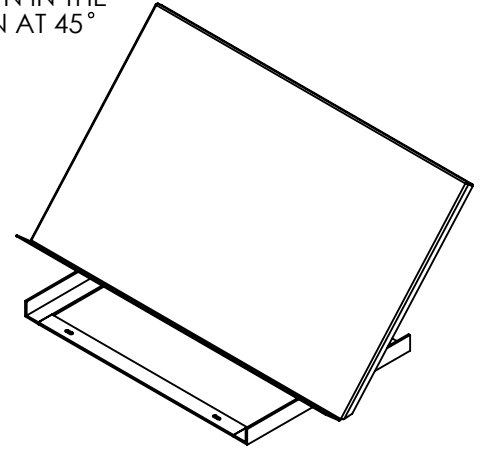
DIMENSION TOLERANCE ± 1/4"



VIEWS SHOWN IN THE
 UP POSITION AT 45°

(2) BUTTON
 (UP/DOWN)
 HAND PENDANT

PLUGS INTO
 CONTROL BOX



STANDARD FEATURES

- MODEL NUMBER IS BTT-5-46
- MAX. CAPACITY IS 500 LBS.
- PLATFORM WIDTH IS 28"
- PLATFORM LENGTH IS 46"
- PLATFORM HEIGHT IS 5"
- PLATFORM LIP IS 3"
- DEGREES OF TILT: 0° TO 45°
- LINEAR ACTUATED
- PUSH BUTTON HAND PENDANT
- CONTROL WITH 8 FT. LONG CORD
- 115V SINGLE PHASE STANDARD
- BASE FRAME HAS SLOTTED HOLES FOR INSTALLATION
- TOUGH BAKED IN POWDER COATED BLUE FINISH

SPECIAL FEATURES

NONE

APPROVAL	I, THE UNDERSIGNED, AGREE THAT THE PRODUCT AS REPRESENTED SATISFIES DESIGN AND DIMENSION REQUIREMENTS. I ALSO ACKNOWLEDGE MY DUTY TO CONFIRM PRODUCT AND INSTALLATION COMPLIANCE WITH ALL APPLICABLE FEDERAL, STATE AND LOCAL REGULATIONS AND STANDARDS.	
	UNITS REQUIRING APPROVAL DRAWINGS OR MODIFIED ARE NON-RETURNABLE	
	[] As drawn [] As marked	
Signed: _____		Date: _____
Printed Name: _____		
<i>LEAD TIME WILL START UPON RECEIPT OF SIGNED APPROVAL DRAWING</i>		

DISTRIBUTOR'S NAME:		P.O.#
VESTIL MANUFACTURING		X
DRAWN BY: DEY		W.O.#
DATE: 7/06/10		X
REFERENCE: X	SCALE: 1:16	SALES: X
QUOTED LEAD TIME: X	QUOTE #	FILE NAME:
	X	03-007-007