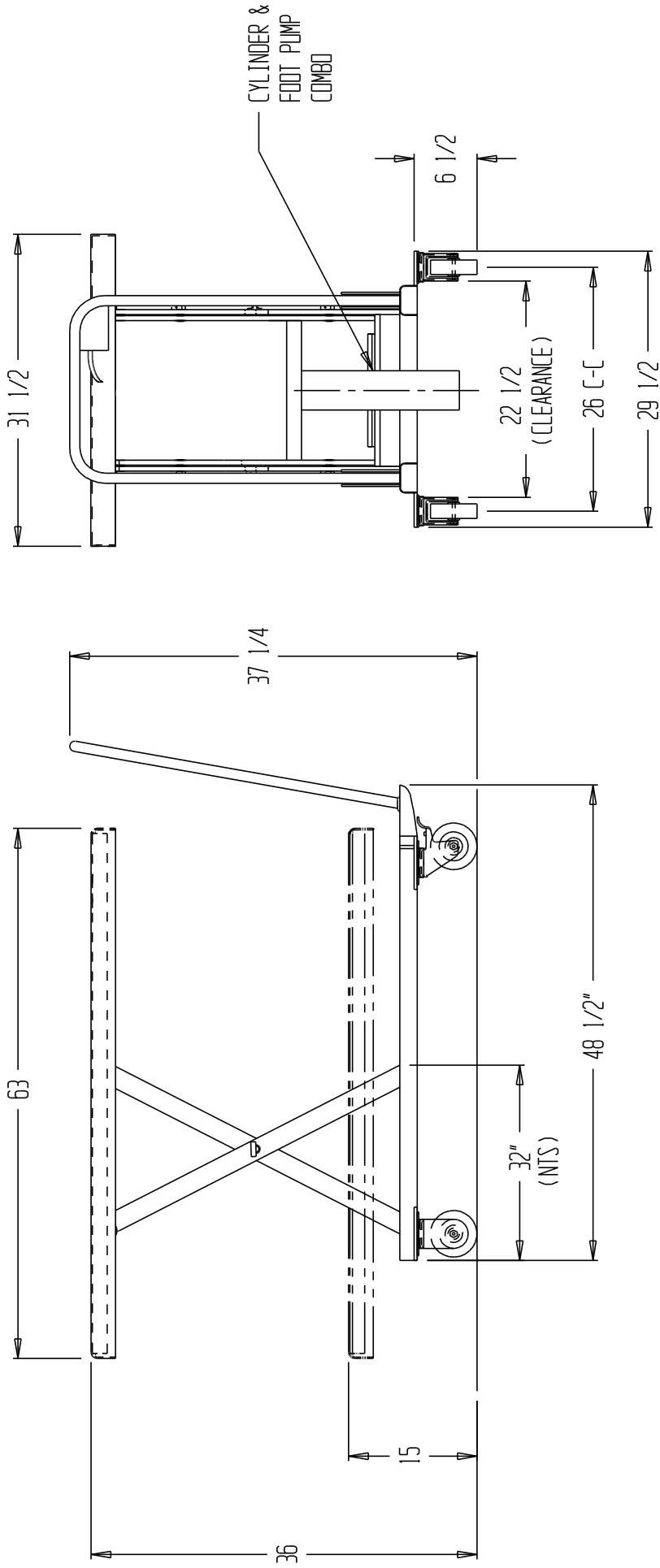


# LONG DECK HYDRAULIC ELEVATING CART CART-1000-LD

## MANUAL FOOT PUMP OPERATION

APPROX WT.: 290 LBS



### STANDARD FEATURES

MODEL NUMBER: CART-1000-LD

CAPACITY: 1,000 LBS.

PLATFORM WIDTH: 31 1/2"

PLATFORM LENGTH: 63"

RAISED HEIGHT: 36"

LOWERED HEIGHT: 15"

APPROX. OVERALL FRAME WIDTH: 29 1/2"

APPROX. OVERALL FRAME LENGTH: 65"

CASTERS: (2) 5" X 1 1/2" SWIVEL w/ BRAKE

(2) 5" X 1 1/2" RIGID

All graphics provided are for reference only.  
If certain dimensions are critical please  
verify those dimensions with your salesperson

PRODUCTION WILL START UPON  
RECEIPT OF SIGNED APPROVAL  
DRAWING

\*\*SPECIAL UNITS ARE NON-RETURNABLE  
\*AVAILABLE AT ADDITIONAL COSTS

FOR INTERNAL USE ONLY	FOR INTERMEDIATE USE ONLY
PROJECT SIGN OFF	PROJECT SIGN OFF
SALES	SALES
ENG	ENG
FAB.	FAB.
POWER	POWER

I, THE UNDERSIGNED, AGREE THAT THE PRODUCT AS REPRESENTED SATISFIES DESIGN & DIMENSION REQUIREMENTS. I ALSO ACKNOWLEDGE MY DUTY TO CONFIRM PRODUCT & INSTALLATION COMPLIANCE WITH ALL APPLICABLE FEDERAL, STATE AND LOCAL REGULATIONS & STANDARDS.  
**ANY MODIFIED UNITS ARE NON-RETURNABLE**  
( ) As drawn ( ) As marked

Signed: \_\_\_\_\_ Date: \_\_\_\_\_  
Printed Name: \_\_\_\_\_

LEAD TIME WILL START UPON RECEIPT OF SIGNED APPROVAL DRAWING

DISTRIBUTOR'S NAME: \_\_\_\_\_  
P.O.#: \_\_\_\_\_

**VESTIL MANUFACTURING**  
W.O.#: \_\_\_\_\_

DRAWN BY: S. ROSE DATE: 8-18-03 SALES: \_\_\_\_\_  
REFERENCE: \_\_\_\_\_ SCALE: \_\_\_\_\_

QUOTED LEADTIME: \_\_\_\_\_ QUOTE #: \_\_\_\_\_  
CART-1000-LD