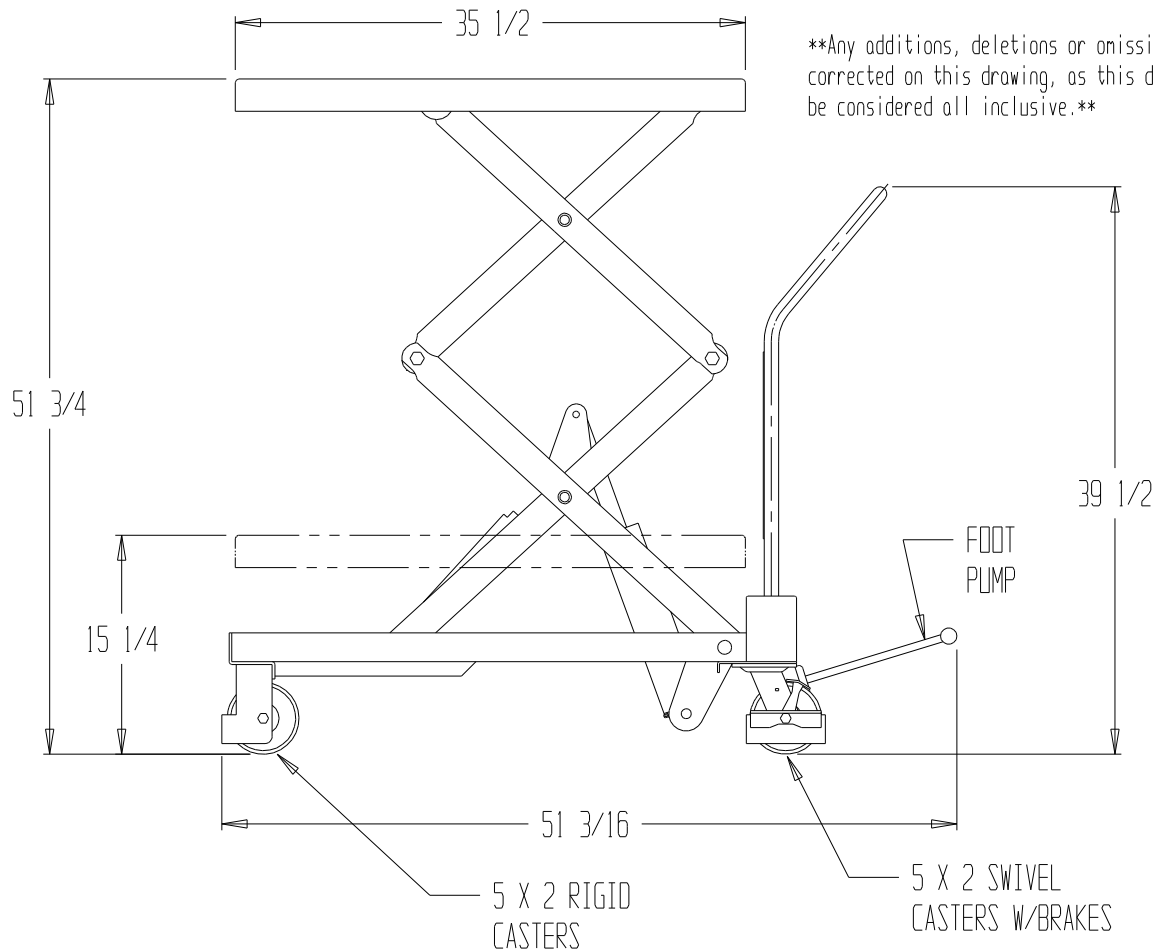
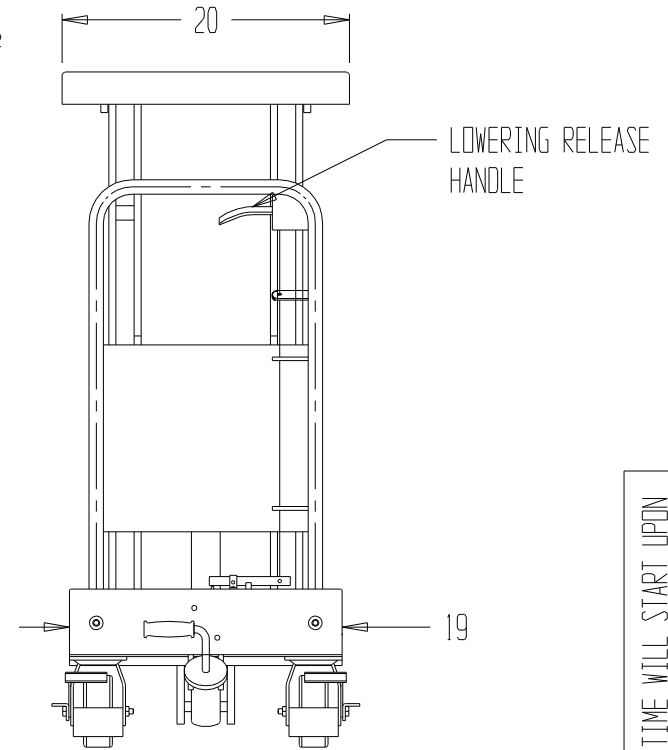


DOUBLE SCISSOR HYDRAULIC ELEVATING CART, CART-800-D-PSS

SCISSOR LEGS, CASTERS, FOOT PUMP, & HYDRAULIC COMPONENTS ARE NOT STAINLESS STEEL



Any additions, deletions or omissions must be corrected on this drawing, as this drawing will be considered all inclusive.



LEAD TIME WILL START UPON RECEIPT OF SIGNED APPROVAL DRAWING

STANDARD FEATURES

- MODEL NUMBER: CART-800-D-PSS
- CAPACITY: 800 LBS.
- PLATFORM WIDTH: 20"
- PLATFORM LENGTH: 35 1/2"
- PLATFORM RAISED HEIGHT: 51 3/4"
- PLATFORM LOWERED HEIGHT: 15 1/4"
- STANDARD TWO SPEED FOOT PUMP

SPECIAL FEATURES

NONE

**SPECIAL UNITS ARE NON-RETURNABLE
*AVAILABLE AT ADDITIONAL COSTS

APPROVAL

I, the undersigned, hereby approve this print
 As drawn As marked

This includes my approval of design & dimensions.

Signed: _____

Date: _____

DISTRIBUTOR'S NAME:		P.O.#: _
VESTIL MANUFACTURING		W.O.#: _
DRAWN BY: SR	DATE: 10-20-05	SALES: _
REFERENCE:		DRWG./FILE NAME:
-	SCALE: 1:14	CART-800-D-PSS