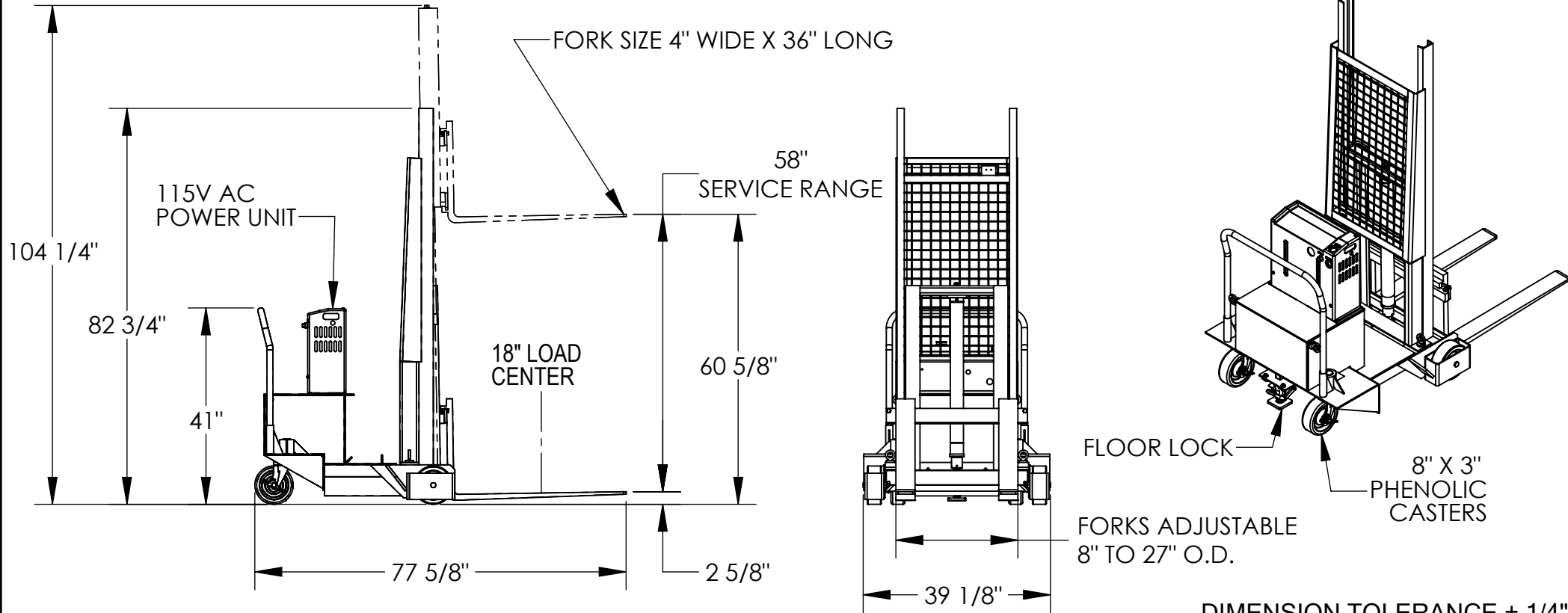


# COUNTER-BALANCED PALLET MASTER/SERVER- CB-PMPS-10-60-AC

APPROX WEIGHT: 2498.36 lbs.  
 DOES NOT INCLUDE WEIGHT OF POWER OR PACKAGING!!!

\*\*\* ANY ADDITIONS, DELETIONS, OR OMISSIONS MUST BE CORRECTED ON THIS DRAWING AS THIS DRAWING WILL BE CONSIDERED ALL INCLUSIVE \*\*\*  
 ALL GRAPHICS PROVIDED ARE FOR REFERENCE ONLY. IF CERTAIN DIMENSIONS ARE CRITICAL PLEASE VERIFY THOSE DIMENSIONS WITH YOUR SALESPERSON



DIMENSION TOLERANCE ± 1/4"

**PLEASE CIRCLE SPECIFICATIONS:**

POWER	<input checked="" type="checkbox"/> AC	<input type="checkbox"/> *DC	<input type="checkbox"/> * AIR/OIL
MOTOR VOLTAGE	<input checked="" type="checkbox"/> 115	<input type="checkbox"/> 208	<input type="checkbox"/> 230 460
DEDICATED CIRCUIT REQUIRED			
MOTOR PHASE	<input checked="" type="checkbox"/> SINGLE	<input type="checkbox"/> THREE	
CONTROL	<input checked="" type="checkbox"/> HAND	<input type="checkbox"/> * FOOT	
~ ALL BATTERY CHARGERS ARE 115V AC ~			
* BATTERY CHR.G.	<input type="checkbox"/> REMOTE	<input checked="" type="checkbox"/> ON-BOARD	
* CHR.G. INDICATOR	<input checked="" type="checkbox"/> YES	<input type="checkbox"/> NO	

\* AVAILABLE AT ADDITIONAL COST

**APPROVAL**

I, THE UNDERSIGNED, AGREE THAT THE PRODUCT AS REPRESENTED SATISFIES DESIGN AND DIMENSION REQUIREMENTS. I ALSO ACKNOWLEDGE MY DUTY TO CONFIRM PRODUCT AND INSTALLATION COMPLIANCE WITH ALL APPLICABLE FEDERAL, STATE AND LOCAL REGULATIONS AND STANDARDS.  
**UNITS REQUIRING APPROVAL DRAWINGS OR MODIFIED ARE NON-RETURNABLE**  
 As drawn     As marked

Signed: \_\_\_\_\_ Date: \_\_\_\_\_

Printed Name: \_\_\_\_\_

LEAD TIME WILL START UPON RECEIPT OF SIGNED APPROVAL DRAWING

**STANDARD FEATURES**

- MODEL NUMBER IS CB-PMPS-10-60-AC
- COUNTER-BALANCED DESIGN
- OVERALL WIDTH IS 39 1/8"
- OVERALL LENGTH IS 77 5/8"
- OVERALL RAISED HEIGHT IS 104 1/4"
- OVERALL LOWERED HEIGHT IS 82 3/4"
- FORK RAISED HEIGHT IS 60 5/8"
- FORK LOWERED HEIGHT IS 2 5/8"
- MAXIMUM CAPACITY IS 1000 LBS
- FORKS ARE 4" WIDE x 36" LONG
- MAXIMUM FORK SPREAD IS 27" O.D.
- FLOOR LOCK
- 115V AC POWER UNIT
- HAND CONTROL PENDANT W/ 8' CORD (NOT SHOWN)
- ALL STEEL CONSTRUCTION (ASTM A-36 MINIMUM)
- DURABLE LIQUID PAINT BLUE FINISH

**SPECIAL FEATURES**

NONE

**USE ON LEVEL SURFACES ONLY**

DISTRIBUTOR'S NAME:		P.O.#
VESTIL MANUFACTURING		X
DRAWN BY: KGH	DATE: 7/6/2016	W.O.#
REFERENCE: X	SCALE: 1:30	X
QUOTED LEAD TIME: X	QUOTE #	FILE NAME:
	X	15-007-111-001