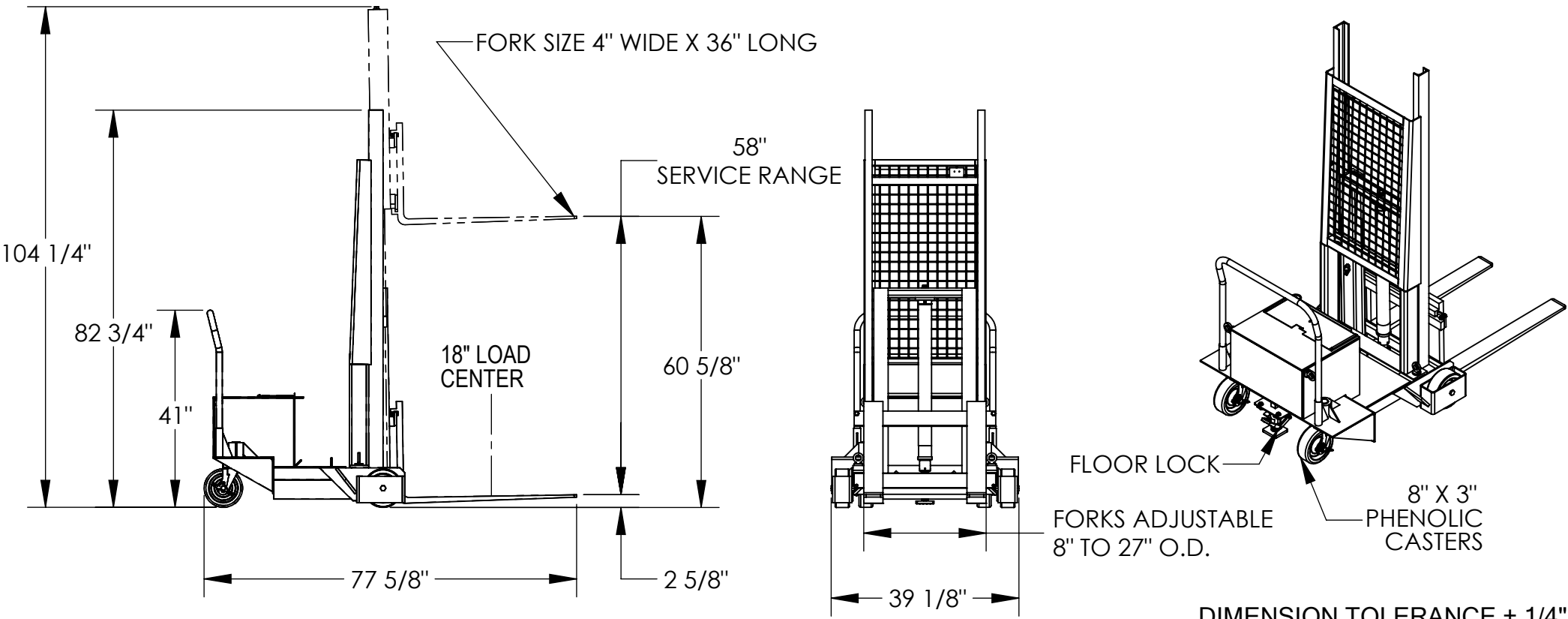


COUNTER-BALANCED PALLET MASTER/SERVER- CB-PMPS-10-60-AIR

APPROX WEIGHT: 2481.81 lbs.
DOES NOT INCLUDE WEIGHT OF POWER OR PACKAGING!!!

*** ANY ADDITIONS, DELETIONS, OR OMISSIONS MUST BE CORRECTED ON THIS DRAWING AS THIS DRAWING WILL BE CONSIDERED ALL INCLUSIVE ***

ALL GRAPHICS PROVIDED ARE FOR REFERENCE ONLY. IF CERTAIN DIMENSIONS ARE CRITICAL PLEASE VERIFY THOSE DIMENSIONS WITH YOUR SALESPERSON



STANDARD FEATURES

- MODEL NUMBER IS CB-PMPS-10-60-AIR
- COUNTER-BALANCED DESIGN
- OVERALL WIDTH IS 39 1/8"
- OVERALL LENGTH IS 77 5/8"
- OVERALL RAISED HEIGHT IS 104 1/4"
- OVERALL LOWERED HEIGHT IS 82 3/4"
- FORK RAISED HEIGHT IS 60 5/8"
- FORK LOWERED HEIGHT IS 2 5/8"
- MAXIMUM CAPACITY IS 1000 LBS
- FORKS ARE 4" WIDE x 36" LONG
- MAXIMUM FORK SPREAD IS 27" O.D.
- FLOOR LOCK
- RECIPROCATING AIR POWERED HYDRAULIC
- 15 CFM @ 100 PSI (1/4 GPM)
- FOOT TREADLE CONTROL
- ALL STEEL CONTRUCTION (ASTM A-36 MINIMUM)
- DURABLE LIQUID PAINT BLUE FINISH

PLEASE CIRCLE SPECIFICATIONS:

POWER	<input type="checkbox"/> AC	<input type="checkbox"/> DC (12V)	<input type="checkbox"/> AIR/OIL
MOTOR VOLTAGE	<input type="checkbox"/> 115	<input type="checkbox"/> 208	<input type="checkbox"/> 230 460
DEDICATED CIRCUIT REQUIRED			
MOTOR PHASE	<input type="checkbox"/> SINGLE	<input type="checkbox"/> THREE	
CONTROL	<input type="checkbox"/> HAND	<input type="checkbox"/> FOOT	
BATTERY CHR.G.	<input type="checkbox"/> REMOTE	<input type="checkbox"/> ON-BOARD	
CHRG. INDICATOR	<input type="checkbox"/> YES	<input type="checkbox"/> NO	

SPECIAL FEATURES

NONE

USE ON LEVEL SURFACES ONLY

APPROVAL

I, THE UNDERSIGNED, AGREE THAT THE PRODUCT AS REPRESENTED SATISFIES DESIGN AND DIMENSION REQUIREMENTS. I ALSO ACKNOWLEDGE MY DUTY TO CONFIRM PRODUCT AND INSTALLATION COMPLIANCE WITH ALL APPLICABLE FEDERAL, STATE AND LOCAL REGULATIONS AND STANDARDS.

UNITS REQUIRING APPROVAL DRAWINGS OR MODIFIED ARE NON-RETURNABLE

As drawn As marked

Signed: _____ Date: _____

Printed Name: _____

LEAD TIME WILL START UPON RECEIPT OF SIGNED APPROVAL DRAWING

DISTRIBUTOR'S NAME:		P.O.#
VESTIL MANUFACTURING		X
DRAWN BY: KGH		W.O.#
DATE: 7/6/2016		X
REFERENCE: X	SCALE: 1:30	SALES: X
QUOTED LEAD TIME: X	QUOTE #	FILE NAME:
	X	15-007-111-002