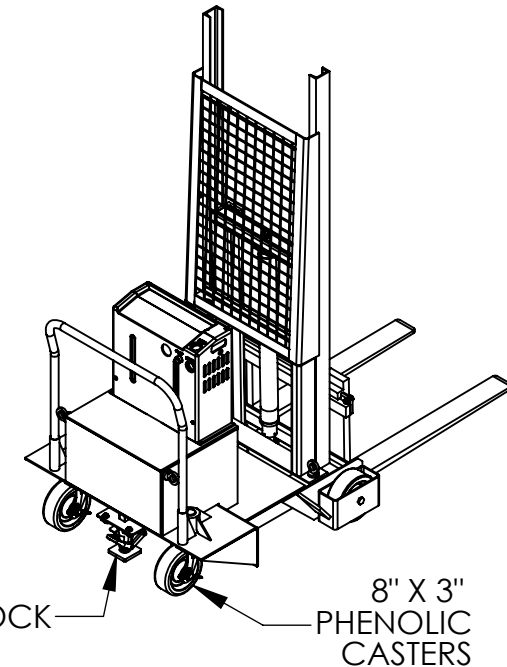
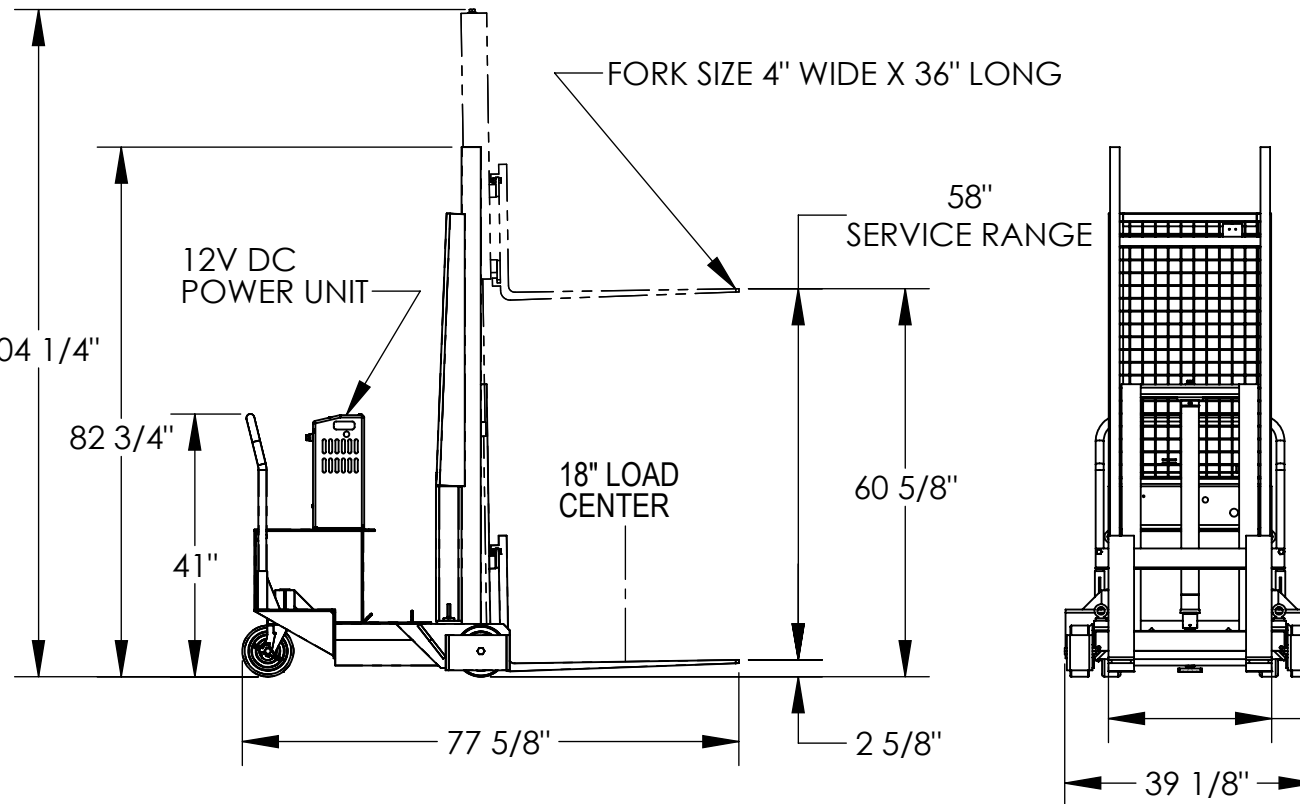


COUNTER-BALANCED PALLET MASTER/SERVER - CB-PMPS-10-60-DC

APPROX WEIGHT: 2498.36 lbs.
DOES NOT INCLUDE WEIGHT OF POWER OR PACKAGING!!!

*** ANY ADDITIONS, DELETIONS, OR OMISSIONS MUST BE CORRECTED ON THIS DRAWING AS THIS DRAWING WILL BE CONSIDERED ALL INCLUSIVE ***

ALL GRAPHICS PROVIDED ARE FOR REFERENCE ONLY. IF CERTAIN DIMENSIONS ARE CRITICAL PLEASE VERIFY THOSE DIMENSIONS WITH YOUR SALESPERSON



DIMENSION TOLERANCE ± 1/4"

STANDARD FEATURES

MODEL NUMBER IS: CB-PMPS-10-60-DC
 COUNTER-BALANCED DESIGN
 OVERALL WIDTH IS 39 1/8"
 OVERALL LENGTH IS 77 5/8"
 OVERALL RAISED HEIGHT IS 104 1/4"
 OVERALL LOWERED HEIGHT IS 82 3/4"
 FORK RAISED HEIGHT IS 60 5/8"
 FORK LOWERED HEIGHT IS 2 5/8"
 MAXIMUM CAPACITY IS 1000 LBS
 FORKS ARE 4" WIDE x 36" LONG
 MAXIMUM FORK SPREAD IS 27" O.D.
 FLOOR LOCK
 12V DC POWER UNIT
 HAND CONTROL PENDANT W/ 8' CORD (NOT SHOWN)
 ALL STEEL CONSTRUCTION
 (ASTM A-36 MINIMUM)
 DURABLE LIQUID PAINT BLUE FINISH

PLEASE CIRCLE SPECIFICATIONS:

POWER	AC	DC (12V)	AIR/OIL
MOTOR VOLTAGE	115	208	230 460
DEDICATED CIRCUIT REQUIRED			
MOTOR PHASE	SINGLE	THREE	
CONTROL	HAND	FOOT	
~ ALL BATTERY CHARGERS ARE 115V AC ~			
BATTERY CHRG.	REMOTE	ON-BOARD	
CHRG. INDICATOR	YES	NO	

SPECIAL FEATURES

NONE

USE ON LEVEL SURFACES ONLY

APPROVAL

I, THE UNDERSIGNED, AGREE THAT THE PRODUCT AS REPRESENTED SATISFIES DESIGN AND DIMENSION REQUIREMENTS. I ALSO ACKNOWLEDGE MY DUTY TO CONFIRM PRODUCT AND INSTALLATION COMPLIANCE WITH ALL APPLICABLE FEDERAL, STATE AND LOCAL REGULATIONS AND STANDARDS.
UNITS REQUIRING APPROVAL DRAWINGS OR MODIFIED ARE NON-RETURNABLE
 As drawn As marked

Signed: _____ Date: _____

Printed Name: _____

LEAD TIME WILL START UPON RECEIPT OF SIGNED APPROVAL DRAWING

DISTRIBUTOR'S NAME:		P.O.#
VESTIL MANUFACTURING		X
DRAWN BY: MV		W.O.#
DATE: 8/9/2007		X
REFERENCE: X	SCALE: 1:30	SALES: X
QUOTED LEAD TIME: X	QUOTE #	FILE NAME:
	X	15-007-111