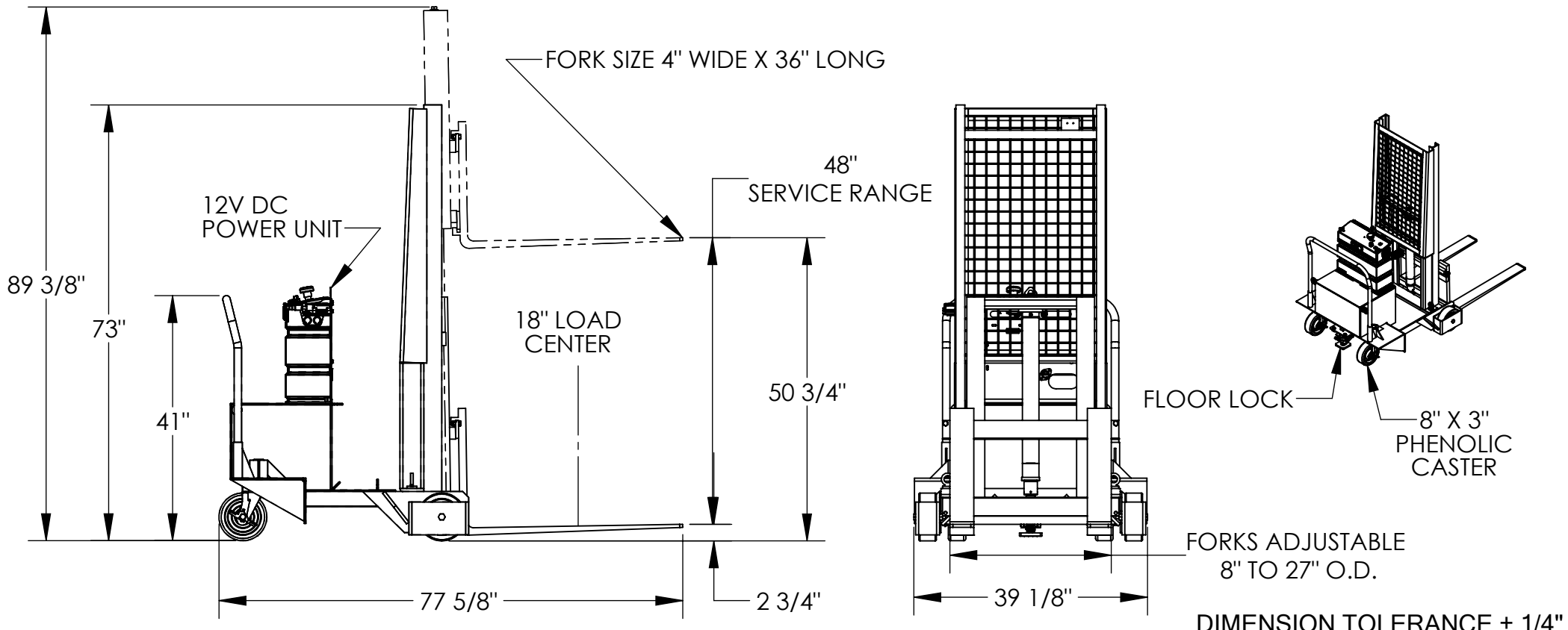


# COUNTER-BALANCED PALLET MASTER/SERVER - CB-PMPS-6-50-DC

APPROX WEIGHT: 2123.15 lbs.  
DOES NOT INCLUDE WEIGHT OF POWER OR PACKAGING!!!

\*\*\* ANY ADDITIONS, DELETIONS, OR OMISSIONS MUST BE CORRECTED ON THIS DRAWING AS THIS DRAWING WILL BE CONSIDERED ALL INCLUSIVE \*\*\*  
ALL GRAPHICS PROVIDED ARE FOR REFERENCE ONLY. IF CERTAIN DIMENSIONS ARE CRITICAL PLEASE VERIFY THOSE DIMENSIONS WITH YOUR SALESPERSON



### PLEASE CIRCLE SPECIFICATIONS:

POWER	AC	<b>DC (12V)</b>	*AIR/OIL
MOTOR VOLTAGE	115	208	230 460
DEDICATED CIRCUIT REQUIRED			
MOTOR PHASE	SINGLE	THREE	
CONTROL	<b>HAND</b>	* FOOT	
~ ALL BATTERY CHARGERS ARE 115V AC ~			
BATTERY CHRG.	REMOTE	ON-BOARD	
CHRG. INDICATOR	YES	NO	

### STANDARD FEATURES

MODEL NUMBER IS CB-PMPS-6-50-DC  
COUNTER-BALANCED DESIGN  
OVERALL WIDTH IS 39 1/8"  
OVERALL LENGTH IS 77 5/8"  
OVERALL RAISED HEIGHT IS 89 3/8"  
OVERALL LOWERED HEIGHT IS 73"  
FORK RAISED HEIGHT IS 50 3/4"  
FORK LOWERED HEIGHT IS 2 3/4"  
MAXIMUM CAPACITY IS 600 LBS  
FORKS ARE 4" WIDE x 36" LONG  
MAXIMUM FORK SPREAD IS 27" O.D.  
FLOOR LOCK  
12V DC POWER UNIT  
HAND CONTROL PENDANT W/ 8' CORD (NOT SHOWN)  
ALL STEEL CONSTRUCTION  
(ASTM A-36 MINIMUM)  
DURABLE LIQUID PAINT BLUE FINISH

### SPECIAL FEATURES

NONE

USE ON LEVEL SURFACES ONLY

APPROVAL

I, THE UNDERSIGNED, AGREE THAT THE PRODUCT AS REPRESENTED SATISFIES DESIGN AND DIMENSION REQUIREMENTS. I ALSO ACKNOWLEDGE MY DUTY TO CONFIRM PRODUCT AND INSTALLATION COMPLIANCE WITH ALL APPLICABLE FEDERAL, STATE AND LOCAL REGULATIONS AND STANDARDS.  
**UNITS REQUIRING APPROVAL DRAWINGS OR MODIFIED ARE NON-RETURNABLE**

[ ] As drawn [ ] As marked

Signed: \_\_\_\_\_ Date: \_\_\_\_\_

Printed Name: \_\_\_\_\_

LEAD TIME WILL START UPON RECEIPT OF SIGNED APPROVAL DRAWING

DISTRIBUTOR'S NAME:		P.O.#
VESTIL MANUFACTURING		X
DRAWN BY: MV	DATE: 8/9/2007	W.O.#
REFERENCE: X	SCALE: 1:24	X
QUOTED LEAD TIME: X	QUOTE #	SALES: X
	X	FILE NAME:
		15-007-108