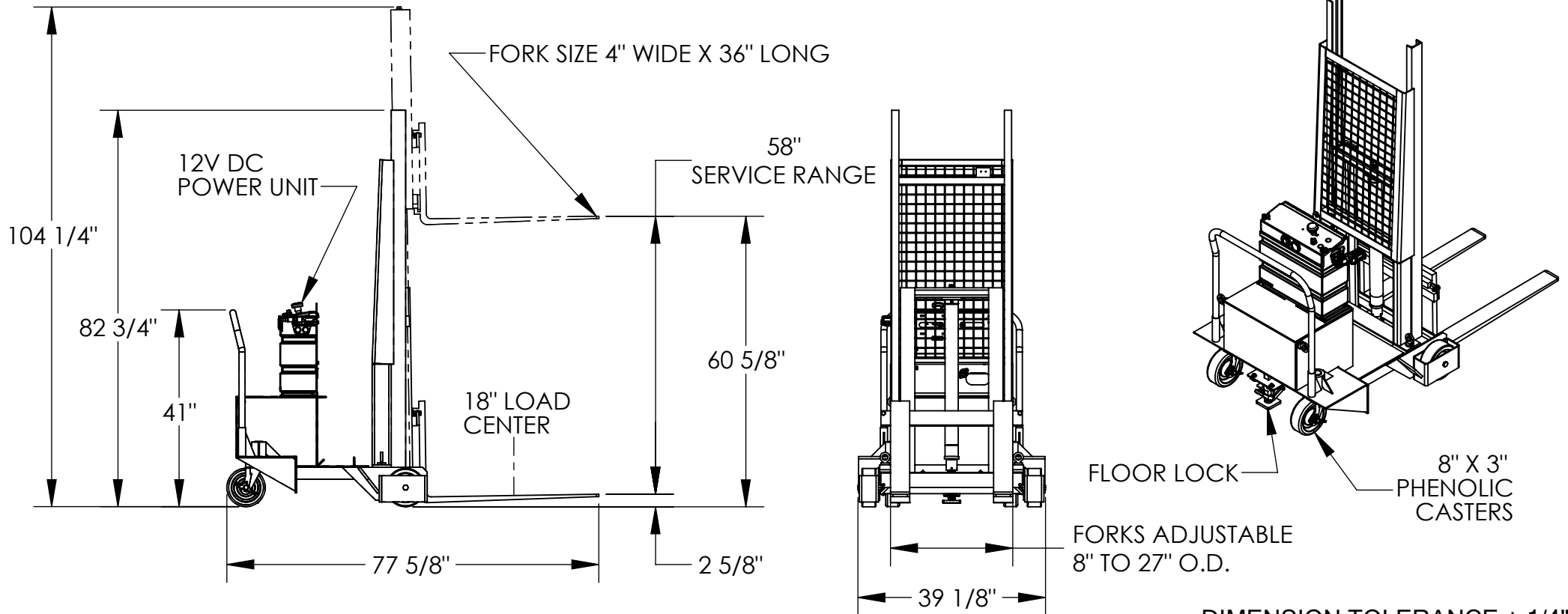


# COUNTER-BALANCED PALLET MASTER/SERVER - CB-PMPS-6-60-DC

APPROX WEIGHT: 2145.58 lbs.  
DOES NOT INCLUDE WEIGHT OF POWER OR PACKAGING!!!

\*\*\* ANY ADDITIONS, DELETIONS, OR OMISSIONS MUST BE CORRECTED ON THIS DRAWING AS THIS DRAWING WILL BE CONSIDERED ALL INCLUSIVE \*\*\*

ALL GRAPHICS PROVIDED ARE FOR REFERENCE ONLY. IF CERTAIN DIMENSIONS ARE CRITICAL PLEASE VERIFY THOSE DIMENSIONS WITH YOUR SALESPERSON



DIMENSION TOLERANCE ± 1/4"

### PLEASE CIRCLE SPECIFICATIONS:

POWER	<del>AC</del>	<b>DC (12V)</b>	<del>AIR/OIL</del>
MOTOR VOLTAGE	<del>115</del>	<del>208</del>	<del>230</del> 460
DEDICATED CIRCUIT REQUIRED			
MOTOR PHASE	<del>SINGLE</del>	<del>THREE</del>	
CONTROL	<b>HAND</b>	<del>* FOOT</del>	
~ ALL BATTERY CHARGERS ARE 115V AC ~			
BATTERY CHR.G.	<del>REMOTE</del>	<del>ON-BOARD</del>	
CHR.G. INDICATOR	<b>YES</b>	<del>NO</del>	

APPROVAL

I, THE UNDERSIGNED, AGREE THAT THE PRODUCT AS REPRESENTED SATISFIES DESIGN AND DIMENSION REQUIREMENTS. I ALSO ACKNOWLEDGE MY DUTY TO CONFIRM PRODUCT AND INSTALLATION COMPLIANCE WITH ALL APPLICABLE FEDERAL, STATE AND LOCAL REGULATIONS AND STANDARDS.

**UNITS REQUIRING APPROVAL DRAWINGS OR MODIFIED ARE NON-RETURNABLE**

[ ] As drawn [ ] As marked

Signed: \_\_\_\_\_ Date: \_\_\_\_\_

Printed Name: \_\_\_\_\_

LEAD TIME WILL START UPON RECEIPT OF SIGNED APPROVAL DRAWING

DISTRIBUTOR'S NAME:		P.O.#
VESTIL MANUFACTURING		X
DRAWN BY: MV		W.O.#
DATE: 8/9/2007		X
REFERENCE: X	SCALE: 1:30	SALES: X
QUOTED LEAD TIME: X	QUOTE #	FILE NAME:
	X	15-007-110

### STANDARD FEATURES

- MODEL NUMBER IS CB-PMPS-6-60-DC
- COUNTER-BALANCED DESIGN
- OVERALL WIDTH IS 39 1/8"
- OVERALL LENGTH IS 77 5/8"
- OVERALL RAISED HEIGHT IS 104 1/4"
- OVERALL LOWERED HEIGHT IS 82 3/4"
- FORK RAISED HEIGHT IS 60 5/8"
- FORK LOWERED HEIGHT IS 2 5/8"
- MAXIMUM CAPACITY IS 600 LBS
- FORKS ARE 4" WIDE x 36" LONG
- MAXIMUM FORK SPREAD IS 27" O.D.
- FLOOR LOCK
- 12V DC POWER UNIT
- HAND CONTROL PENDANT W/ 8' CORD (NOT SHOWN)
- ALL STEEL CONSTRUCTION (ASTM A-36 MINIMUM)
- DURABLE LIQUID PAINT BLUE FINISH

### SPECIAL FEATURES

NONE

USE ON LEVEL SURFACES ONLY