

# COUNTER-BALANCED STACKER - CBS-76-1-AC

APPROX WEIGHT: 1193.10 lbs.  
 DOES NOT INCLUDE WEIGHT OF POWER OR PACKAGING!!!

\*\*\* ANY ADDITIONS, DELETIONS, OR OMISSIONS MUST BE CORRECTED ON THIS DRAWING AS THIS DRAWING WILL BE CONSIDERED ALL INCLUSIVE \*\*\*

ALL GRAPHICS PROVIDED ARE FOR REFERENCE ONLY. IF CERTAIN DIMENSIONS ARE CRITICAL PLEASE VERIFY THOSE DIMENSIONS WITH YOUR SALESPERSON

## STANDARD FEATURES

MODEL NUMBER: CBS-76-1-AC

OVERALL LENGTH: 62 13/16"  
 OVERALL WIDTH: 27 1/2"  
 OVERALL HEIGHT: 91 7/8"

LOWERED HEIGHT OF FORK IS 1 1/4"  
 RAISED HEIGHT OF FORK IS 76"

FORK ADJUSTMENT RANGE IS 4" TO 19"

FORK SIZE IS  
 3" WIDTH X 25 1/2" LENGTH X 1" THICKNESS

UNIFORM CAPACITY IS 1,000 LB  
 AT LOAD CENTER 12"

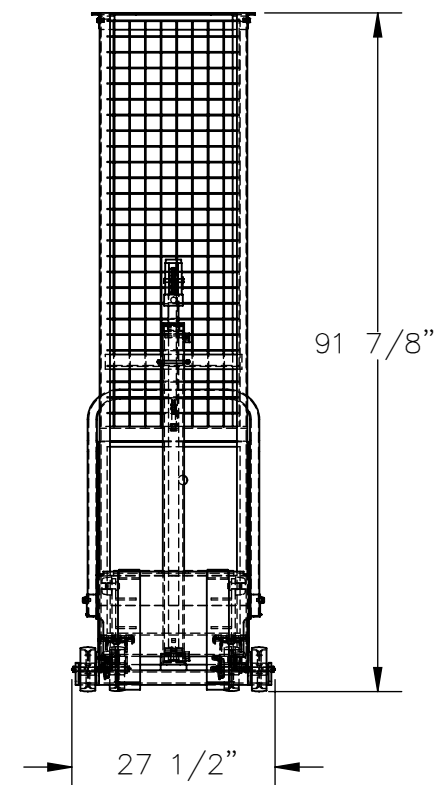
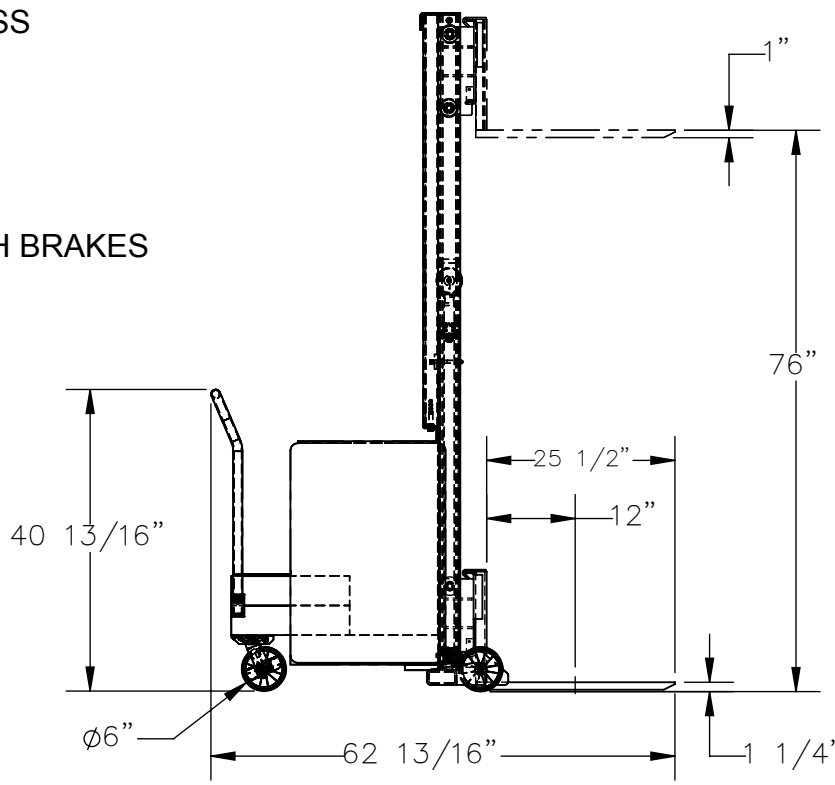
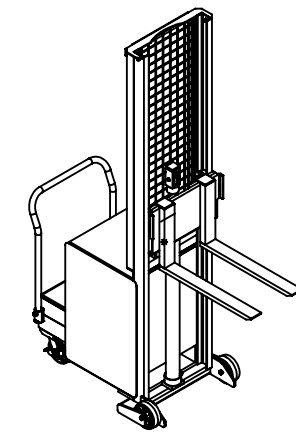
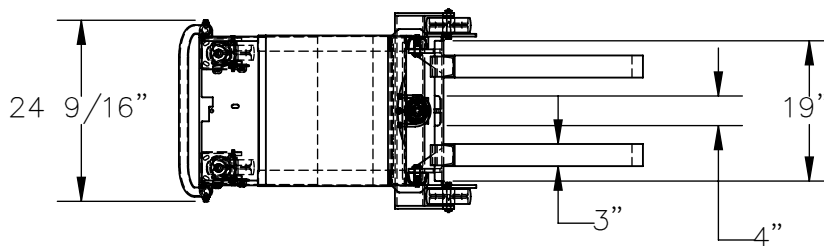
CASTERS:  
 FRONT: 6" X 2" GFN WHEELS  
 REAR: 6" X 2" GFN SWIVEL CASTERS WITH BRAKES

POWER UNIT: 115 V AC SINGLE PHASE  
 CONTROL: HAND

DURABLE LIQUID PAINT BLUE FINISH

## SPECIAL FEATURES

NONE



DIMENSION TOLERANCE ± 1/4"

APPROVAL

I, THE UNDERSIGNED, AGREE THAT THE PRODUCT AS REPRESENTED SATISFIES DESIGN AND DIMENSION REQUIREMENTS. I ALSO ACKNOWLEDGE MY DUTY TO CONFIRM PRODUCT AND INSTALLATION COMPLIANCE WITH ALL APPLICABLE FEDERAL, STATE AND LOCAL REGULATIONS AND STANDARDS.

**ANY MODIFIED UNITS ARE NON-RETURNABLE**  
 As drawn     As marked

Signed: \_\_\_\_\_ Date: \_\_\_\_\_  
 Printed Name: \_\_\_\_\_  
 LEAD TIME WILL START UPON RECEIPT OF SIGNED APPROVAL DRAWING

FOR INTERNAL USE ONLY PROJECT SIGN OFF	
SALES	
ENG.	
FAB.	
POWER	

DISTRIBUTOR'S NAME: <b>VESTIL MANUFACTURING</b>	
DRAWN BY: SJA	DATE: 9/20/2016
REFERENCE: X	SCALE: 1:26
QUOTED LEAD TIME: X	QUOTE # X

P.O.# X
W.O.# X
SALES: X
FILE NAME: 21-007-064-001