

SPECIAL CARRIAGE MOUNTED COIL RAM - CCM-60-5

APPROX WEIGHT: 180.96 lbs.
 DOES NOT INCLUDE WEIGHT OF POWER OR PACKAGING!!!

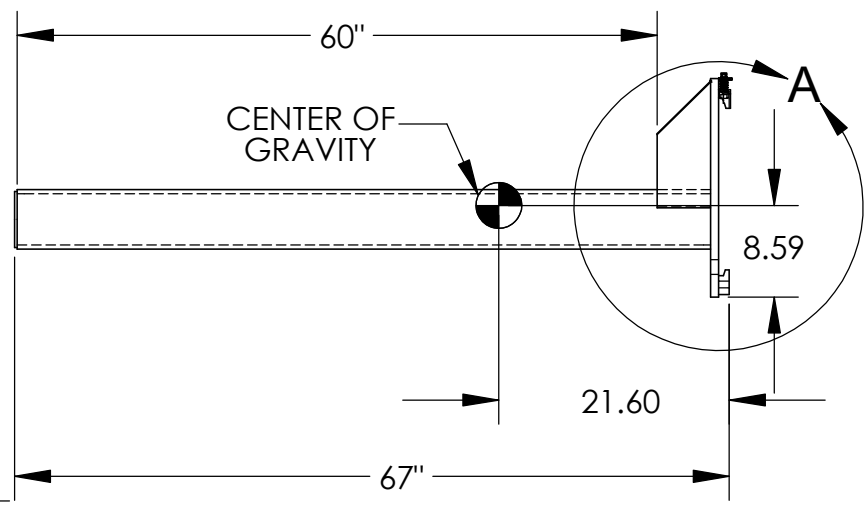
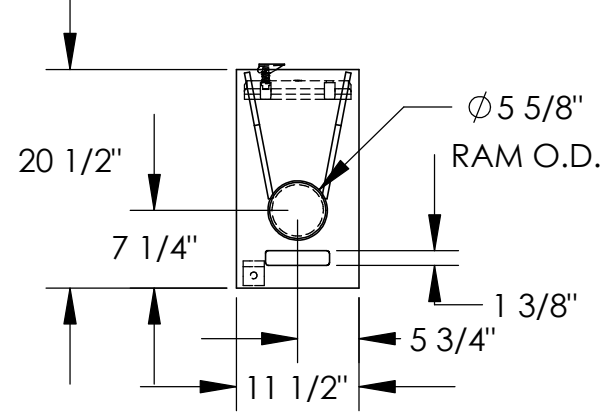
*** ANY ADDITIONS, DELETIONS, OR OMISSIONS MUST BE CORRECTED ON THIS DRAWING AS THIS DRAWING WILL BE CONSIDERED ALL INCLUSIVE ***

ALL GRAPHICS PROVIDED ARE FOR REFERENCE ONLY. IF CERTAIN DIMENSIONS ARE CRITICAL PLEASE VERIFY THOSE DIMENSIONS WITH YOUR SALESPERSON

STANDARD FEATURES

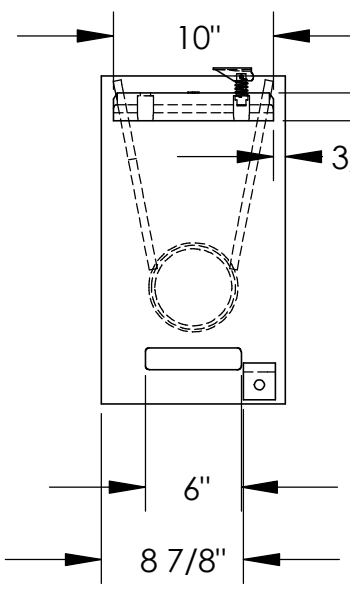
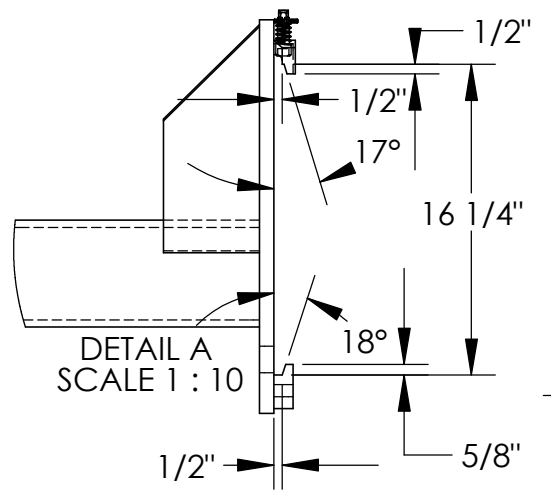
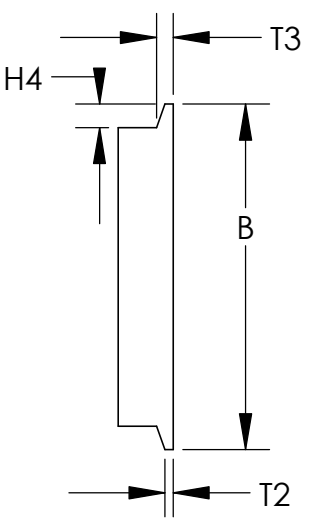
- MODEL NUMBER IS CCM-60-5
- OVERALL WIDTH IS 11 1/2"
- OVERALL LENGTH IS 67"
- USABLE RAM LENGTH IS 60"
- OVERALL HEIGHT IS 20 1/2"
- UNIFORM CAPACITY IS 5,500 LBS.
- RAM O.D. IS 5 5/8"
- FITS STANDARD CLASS II CARRIAGE

HORIZONTAL CENTER OF GRAVITY: 8.59"
 VERTICAL CENTER OF GRAVITY: 21.60"
 EFFECTIVE THICKNESS: LESS THAN 1"
 LOST LOAD: 180.96 lbs.



SPECIAL FEATURES

NONE



DIMENSION TOLERANCE ± 1/4"

I, THE UNDERSIGNED, AGREE THAT THE PRODUCT AS REPRESENTED SATISFIES DESIGN AND DIMENSION REQUIREMENTS. I ALSO ACKNOWLEDGE MY DUTY TO CONFIRM PRODUCT AND INSTALLATION COMPLIANCE WITH ALL APPLICABLE FEDERAL, STATE AND LOCAL REGULATIONS AND STANDARDS.

ANY MODIFIED UNITS ARE NON-RETURNABLE

[] As drawn [] As marked

Signed: _____ Date: _____

Printed Name: _____

LEAD TIME WILL START UPON RECEIPT OF SIGNED APPROVAL DRAWING

DISTRIBUTOR'S NAME:		P.O.#
VESTIL MANUFACTURING		X
DRAWN BY: BCN		W.O.#
DATE: 5/18/2016		X
REFERENCE: X	SCALE: 1:16	SALES: X
QUOTED LEAD TIME: X	QUOTE #	FILE NAME:
	X	08-007-277

FOR INTERNAL USE ONLY PROJECT SIGN OFF	
SALES	
ENG.	
FAB.	
POWER	

****NOTE****
 DUE TO VARIATIONS IN FORK TRUCK CARRIAGES, PLEASE HAVE THE CUSTOMER VERIFY THAT THEIR CARRIAGE WILL CONFORM TO THE DIMENSIONS SHOWN TO THE RIGHT. IF NOT, PLEASE HAVE THE CUSTOMER VERIFY DIMENSIONS B, T2, T3, & H4 TO BE ABLE TO QUOTE A SPECIAL BACKPLATE TO FIT.