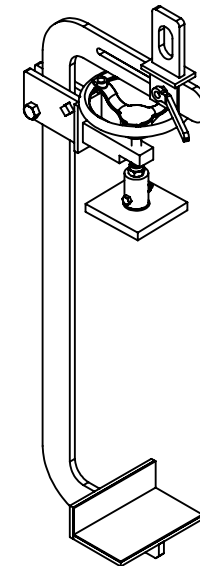
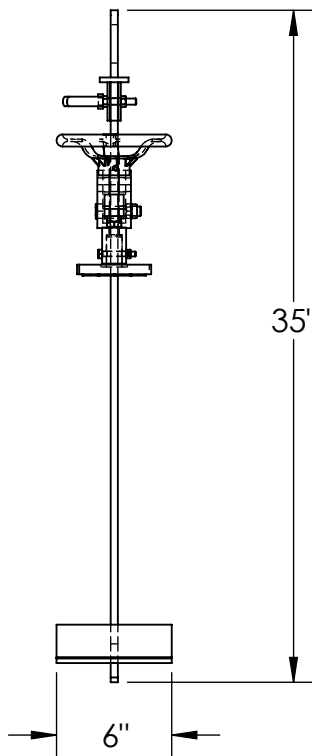
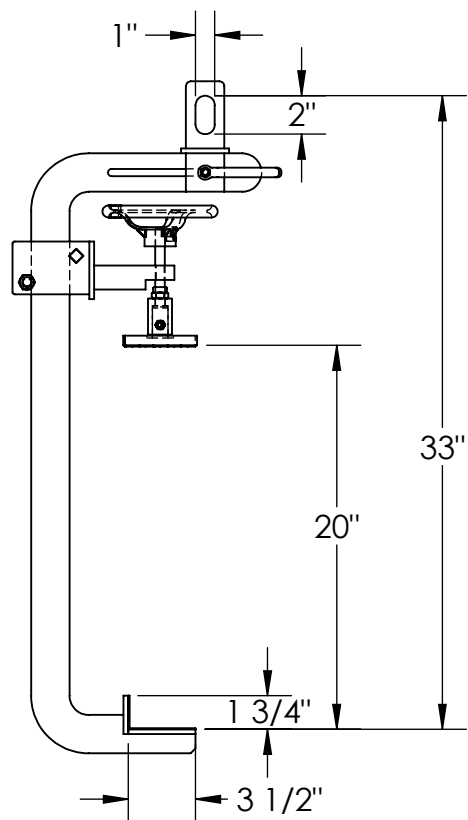


# C-CLAMP BAR STOCK LIFTER - CH-200-30

APPROX WEIGHT: 21.70 lbs.  
DOES NOT INCLUDE WEIGHT OF POWER OR PACKAGING!!!

\*\*\* ANY ADDITIONS, DELETIONS, OR OMISSIONS MUST BE CORRECTED ON THIS DRAWING AS THIS DRAWING WILL BE CONSIDERED ALL INCLUSIVE \*\*\*

ALL GRAPHICS PROVIDED ARE FOR REFERENCE ONLY. IF CERTAIN DIMENSIONS ARE CRITICAL PLEASE VERIFY THOSE DIMENSIONS WITH YOUR SALESPERSON



## STANDARD FEATURES

- MODEL NUMBER : CH-200-30
- 200 LBS. MAX. CAPACITY
- MAX. BLOCK HEIGHT: 20"
- MIN. BLOCK HEIGHT: 1 3/4"
- HAND CRANK CLAMPING FIXTURE
- CLAMP TO HAVE 3 1/2" OF ENGAGEMENT ON BLOCK
- OVERALL HEADROOM: 33"
- (BOTTOM OF CLAMP TO INSIDE OF LIFTING BAIL)
- SLIDING ADJUSTABLE LIFTING BAIL
- 1" W x 2" H USABLE LIFTING EYE
- ALL STEEL CONSTRUCTION
- TOUGH BAKED IN POWDER COATED YELLOW FINISH

## SPECIAL FEATURES

NONE

DIMENSION TOLERANCE  $\pm 1/4"$

<b>APPROVAL</b>	I, THE UNDERSIGNED, AGREE THAT THE PRODUCT AS REPRESENTED SATISFIES DESIGN AND DIMENSION REQUIREMENTS. I ALSO ACKNOWLEDGE MY DUTY TO CONFIRM PRODUCT AND INSTALLATION COMPLIANCE WITH ALL APPLICABLE FEDERAL, STATE AND LOCAL REGULATIONS AND STANDARDS.	
	<b>ANY MODIFIED UNITS ARE NON-RETURNABLE</b>	
	[ ] As drawn      [ ] As marked	
Signed: _____		Date: _____
Printed Name: _____		
<b>LEAD TIME WILL START UPON RECEIPT OF SIGNED APPROVAL DRAWING</b>		

FOR INTERNAL USE ONLY PROJECT SIGN OFF	
SALES	
ENG.	
FAB.	
POWER	

DISTRIBUTOR'S NAME:		P.O.#
<b>VESTIL MANUFACTURING</b>		X
DRAWN BY: SJG		DATE: 12/05/2017
REFERENCE: X		SCALE: 1:10
QUOTED LEAD TIME: X		QUOTE #
		X
		FILE NAME:
		49-007-031