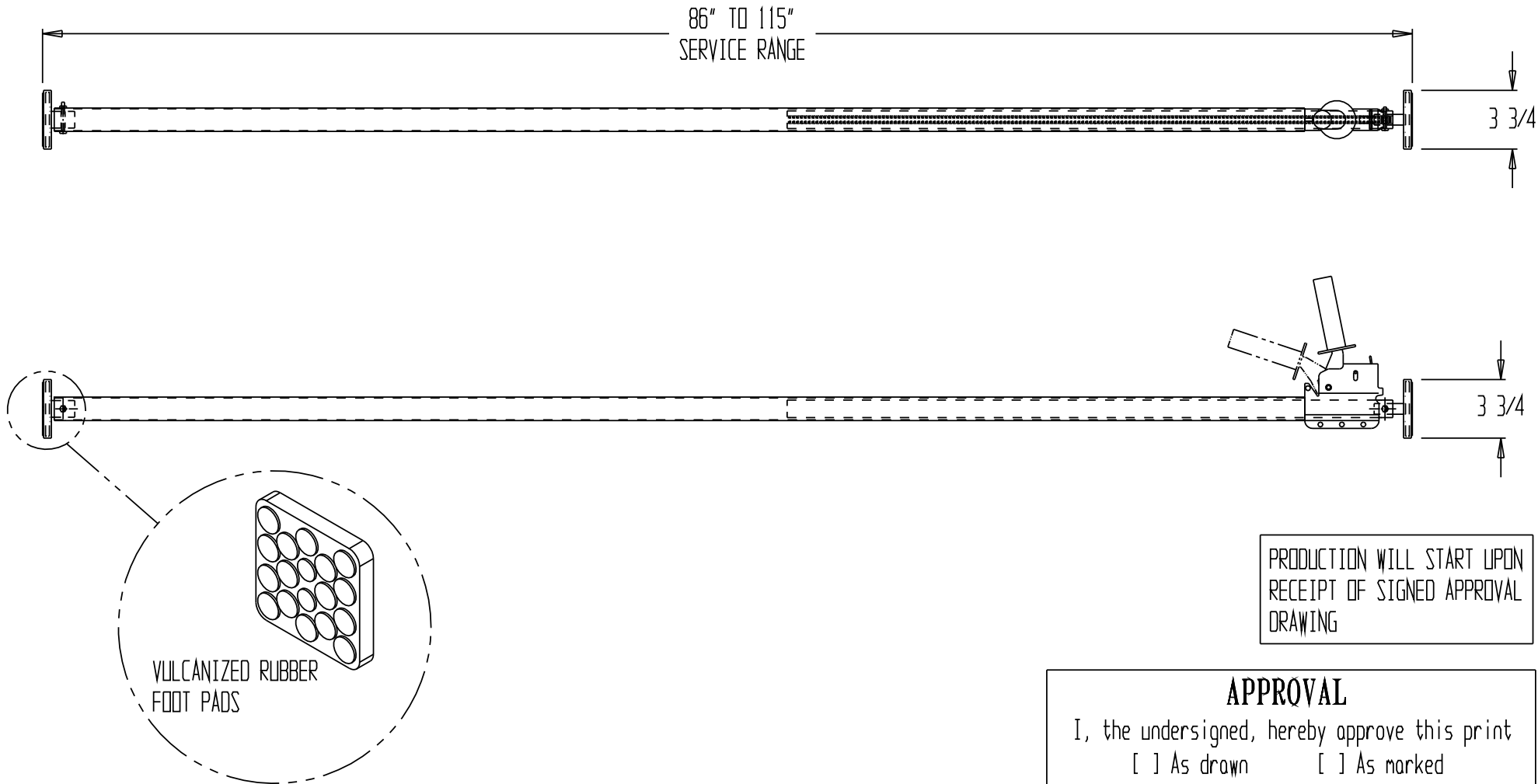


ONE PIECE STEEL CARGO LOCK CL-15



PRODUCTION WILL START UPON
RECEIPT OF SIGNED APPROVAL
DRAWING

APPROVAL

I, the undersigned, hereby approve this print
 As drawn As marked
 This includes my approval of design & dimensions.
 Signed: _____
 Date: _____

STANDARD FEATURES

MODEL NUMBER: CL-15
 ONE PIECE STEEL CONSTRUCTION
 HEAVY DUTY LOCKING RATCHET
 4" SQUARE VULCANIZED RUBBER FOOT PADS
 SERVICE RANGE - 86" TO 115"
 PADS MOLDED TO STEEL FOR PERMANENT ADHESION
 WEIGHT - 20 LBS

**SPECIAL UNITS ARE NON-RETURNABLE
 *AVAILABLE AT ADDITIONAL COSTS

DISTRIBUTOR'S NAME: T & S EQUIPMENT		P.O.#: -
DRAWN BY: K. YOUNG		W.O.#: -
DATE: 2/25/04	SALES: -	
REFERENCE: -	DRWG./FILE NAME: 44-007-045-001	scale: 1:10