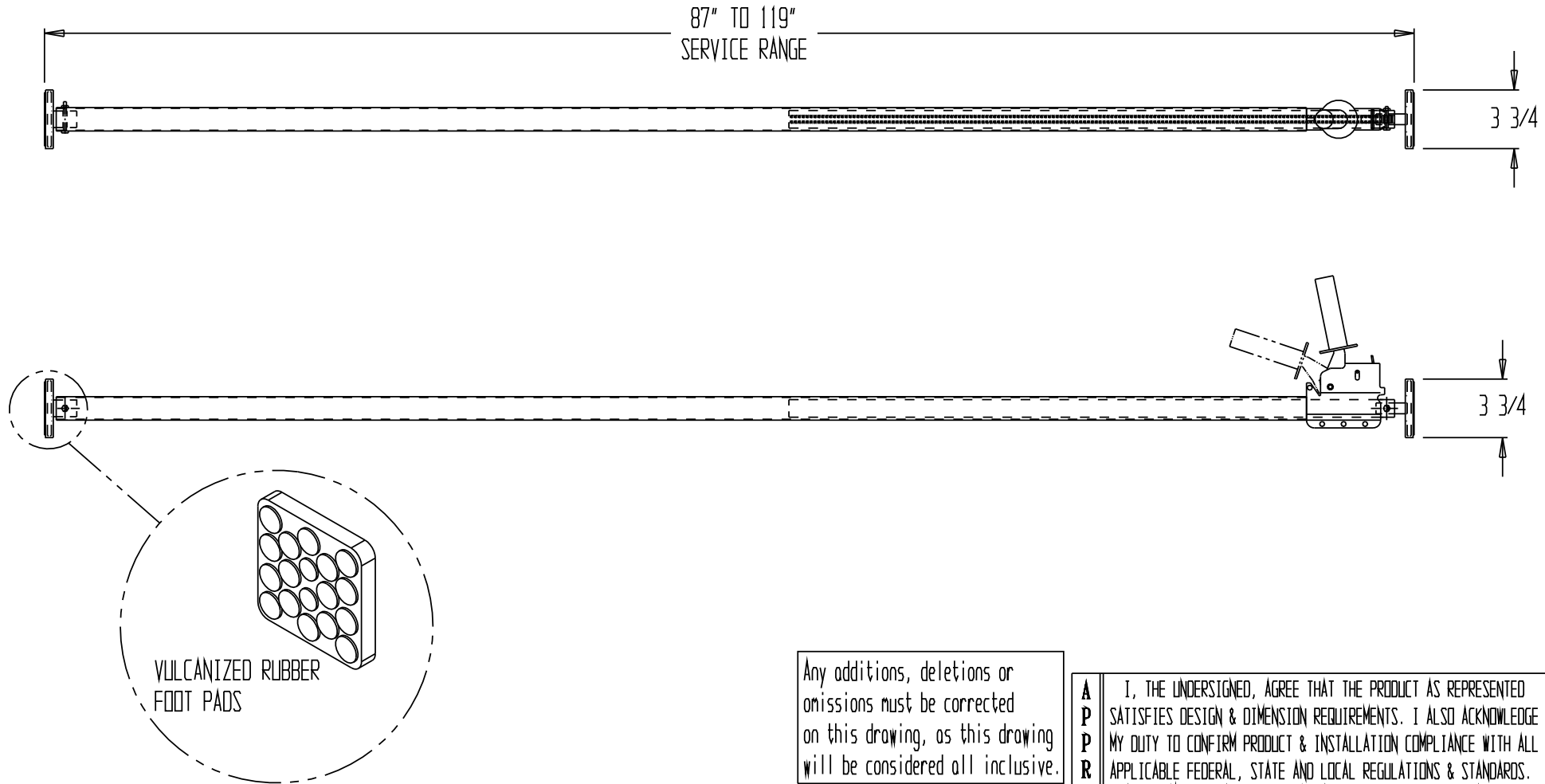
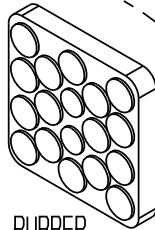


ONE PIECE GALVANIZED STEEL CARGO LOCK CL-16



VULCANIZED RUBBER FOOT PADS



STANDARD FEATURES

MODEL NUMBER: CL-16
 ONE PIECE STEEL CONSTRUCTION
 HEAVY DUTY LOCKING RATCHET
 4" SQUARE VULCANIZED RUBBER FOOT PADS
 SERVICE RANGE - 87" TO 119"
 PADS MOLDED TO STEEL FOR PERMANENT ADHESION
 WEIGHT - 22 LBS

SPECIAL FEATURES

NONE

**SPECIAL UNITS ARE NON-RETURNABLE
 *AVAILABLE AT ADDITIONAL COSTS

Any additions, deletions or omissions must be corrected on this drawing, as this drawing will be considered all inclusive.

All graphics provided are for reference only. If certain dimensions are critical please verify those dimensions with your salesperson

A P P R O V A L	I, THE UNDERSIGNED, AGREE THAT THE PRODUCT AS REPRESENTED SATISFIES DESIGN & DIMENSION REQUIREMENTS. I ALSO ACKNOWLEDGE MY DUTY TO CONFIRM PRODUCT & INSTALLATION COMPLIANCE WITH ALL APPLICABLE FEDERAL, STATE AND LOCAL REGULATIONS & STANDARDS.	
	ALL SPECIAL UNITS ARE NON-RETURNABLE	
	[] As drawn	[] As marked
	Signed: _____	Date: _____
LEAD TIME WILL START UPON RECEIPT OF SIGNED APPROVAL DRAWING		

DISTRIBUTOR'S NAME: VESTIL MFG		P.O.#: _
DRAWN BY: K. YOUNG		W.O.#: _
DATE: 2/25/04	SALES: _	
REFERENCE: _	SCALE: 1:10	DRWG./FILE NAME:
QUOTED LEADTIME: _	QUOTE #: _	44-007-045-002