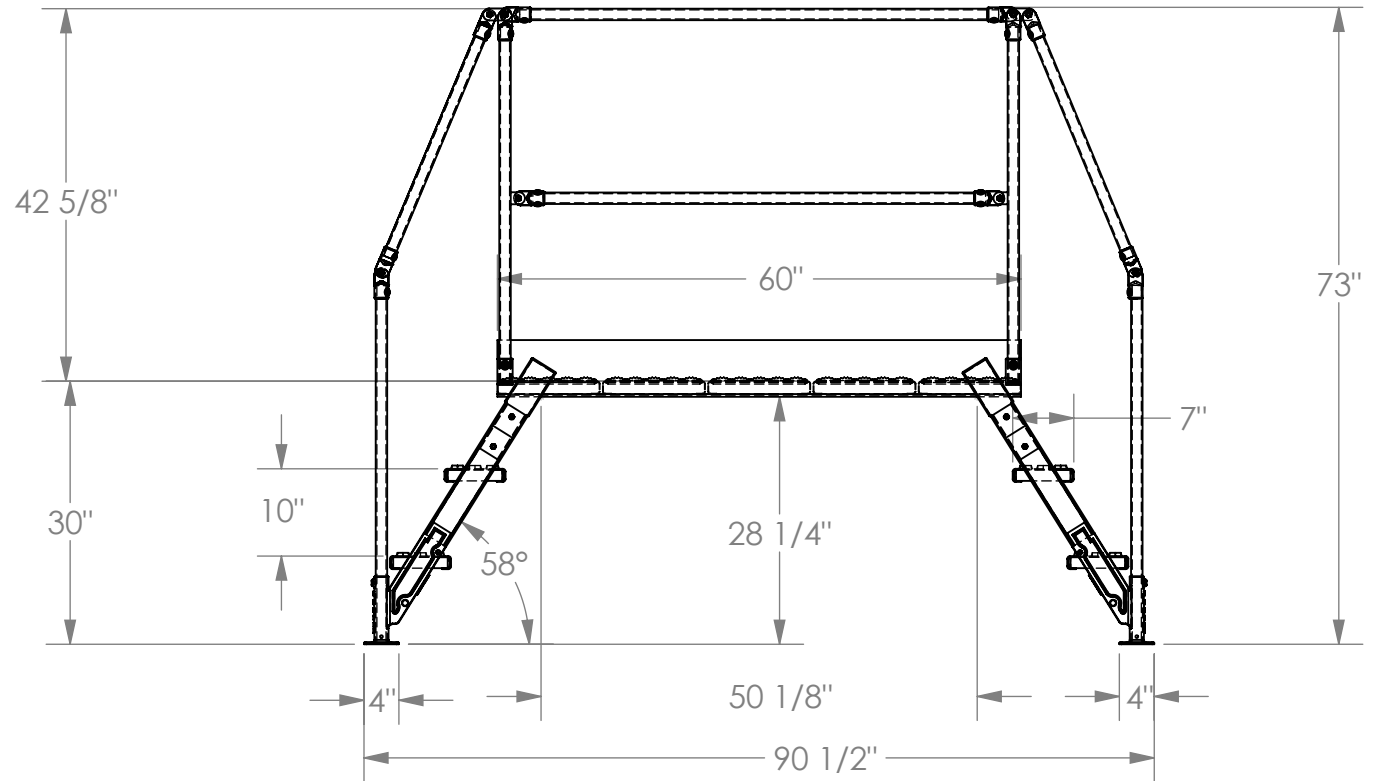
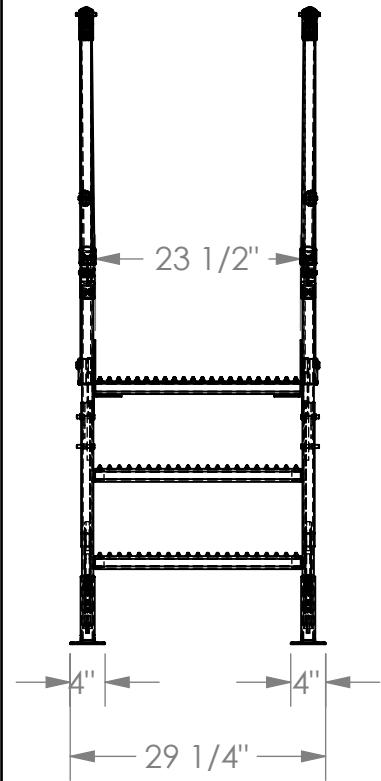


# CROSS-OVER LADDER - COL-3-26-44

APPROX WEIGHT: 358.02 lbs.  
DOES NOT INCLUDE WEIGHT OF POWER OR PACKAGING!!!

\*\*\* ANY ADDITIONS, DELETIONS, OR OMISSIONS MUST BE CORRECTED ON THIS DRAWING AS THIS DRAWING WILL BE CONSIDERED ALL INCLUSIVE \*\*\*

ALL GRAPHICS PROVIDED ARE FOR REFERENCE ONLY. IF CERTAIN DIMENSIONS ARE CRITICAL PLEASE VERIFY THOSE DIMENSIONS WITH YOUR SALESPERSON



DIMENSION TOLERANCE  $\pm 1/4"$

## STANDARD FEATURES

- MODEL NUMBER: COL-3-26-44
- OVERALL SIZE:  
29 1/4" W x 90 1/2" L x 73" H
- CLEARANCE SPAN:  
50 1/8" W x 28 1/4" H
- TOP PLATFORM HEIGHT: 30"
- STEP HEIGHT SPACING: 10"
- STEP DEPTH: 7"
- STEP & PLATFORM WIDTH 23 1/2"
- CLIMB ANGLE: 58°
- ALL STEPS & PLATFORM ARE  
SERRATED STEEL
- KNOCK-DOWN HANDRAILING  
(UNIT SHIPS KNOCKED DOWN,  
ASSEMBLY REQUIRED)

## SPECIAL FEATURES

NONE

## NOTE

- UNIT MUST BE ANCHORED TO  
THE FLOOR!!!
- Ø7/16" MOUNTING HOLES
- 8 TOTAL MOUNTING HOLES PER  
STANDARD UNIT
- 2 MOUNTING HOLES PER CORNER  
BRACKET

FOR INTERNAL USE ONLY PROJECT SIGN OFF	
SALES	
ENG.	
FAB.	
POWER	

<b>APPROVAL</b>	I, THE UNDERSIGNED, AGREE THAT THE PRODUCT AS REPRESENTED SATISFIES DESIGN AND DIMENSION REQUIREMENTS. I ALSO ACKNOWLEDGE MY DUTY TO CONFIRM PRODUCT AND INSTALLATION COMPLIANCE WITH ALL APPLICABLE FEDERAL, STATE AND LOCAL REGULATIONS AND STANDARDS.	
	<b>ANY MODIFIED UNITS ARE NON-RETURNABLE</b>	
	[ ] As drawn      [ ] As marked	
	Signed: _____ Date: _____	
Printed Name: _____		
<b>LEAD TIME WILL START UPON RECEIPT OF SIGNED APPROVAL DRAWING</b>		

DISTRIBUTOR'S NAME:		P.O.#
<b>VESTIL MANUFACTURING</b>		X
		W.O.#
DRAWN BY: BCN	DATE: 4/29/2016	X
REFERENCE: X	SCALE: 1:22	FILE NAME:
QUOTED LEAD TIME: X	QUOTE #	44-007-074
	X	