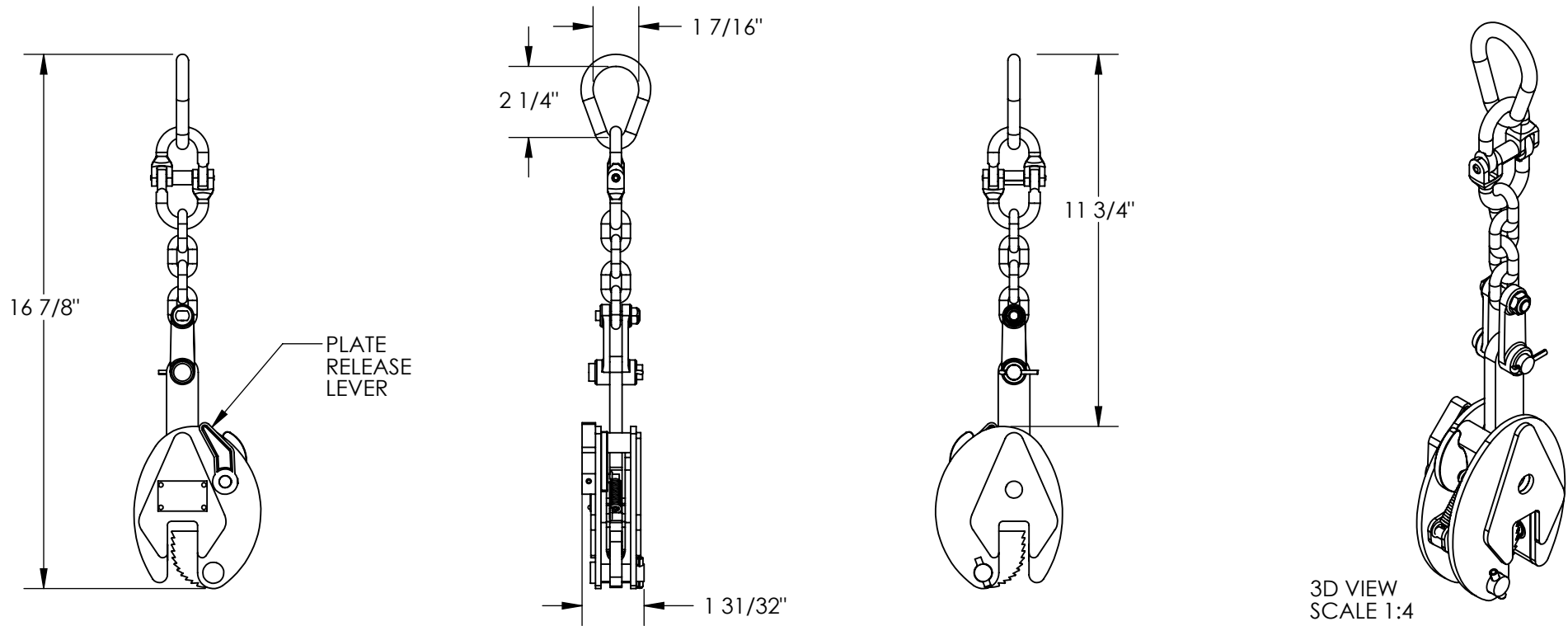


# VERTICAL PLATE CLAMP - CPC-10

\*\*\* ANY ADDITIONS, DELETIONS, OR OMISSIONS MUST BE CORRECTED ON THIS DRAWING AS THIS DRAWING WILL BE CONSIDERED ALL INCLUSIVE \*\*\*  
 ALL GRAPHICS PROVIDED ARE FOR REFERENCE ONLY. IF CERTAIN DIMENSIONS ARE CRITICAL PLEASE VERIFY THOSE DIMENSIONS WITH YOUR SALESPERSON



3D VIEW  
SCALE 1:4

DIMENSION TOLERANCE ± 1/4"

## STANDARD FEATURES

- MODEL NUMBER IS: CPC-10
- OVERALL WIDTH IS: 1 31/32"
- OVERALL HEIGHT IS 16 7/8"
- CHAIN HEIGHT IS: 11 3/4"
- MAX CAPACITY IS: 1,000 LBS.
- MIN UNIFORM PLATE WEIGHT IS: 200 LBS.
- MAX PLATE THICKNESS IS: 0.6"
- THROAT DEPTH IS: 1 1/2"
- BALE OPENING RANGE IS: 2 1/4"
- APPROX WEIGHT: 6 LBS.

## SPECIAL FEATURES

NONE

A P P R O V A L	I, THE UNDERSIGNED, AGREE THAT THE PRODUCT AS REPRESENTED SATISFIES DESIGN AND DIMENSION REQUIREMENTS. I ALSO ACKNOWLEDGE MY DUTY TO CONFIRM PRODUCT AND INSTALLATION COMPLIANCE WITH ALL APPLICABLE FEDERAL, STATE AND LOCAL REGULATIONS AND STANDARDS.	
	ANY MODIFIED UNITS ARE NON-RETURNABLE	
	[ ] As drawn      [ ] As marked	
	Signed: _____ Date: _____	
Printed Name: _____		
LEAD TIME WILL START UPON RECEIPT OF SIGNED APPROVAL DRAWING		

FOR INTERNAL USE ONLY PROJECT SIGN OFF		DISTRIBUTOR'S NAME:		P.O.#
		VESTIL MANUFACTURING		X
SALES		DRAWN BY:	T.MOORE	DATE:
ENG.		REFERENCE:	X	7/29/09
FAB.		QUOTED LEAD TIME:	X	SCALE: 1:5
POWER		QUOTE #	X	FILE NAME:
				30-007-122