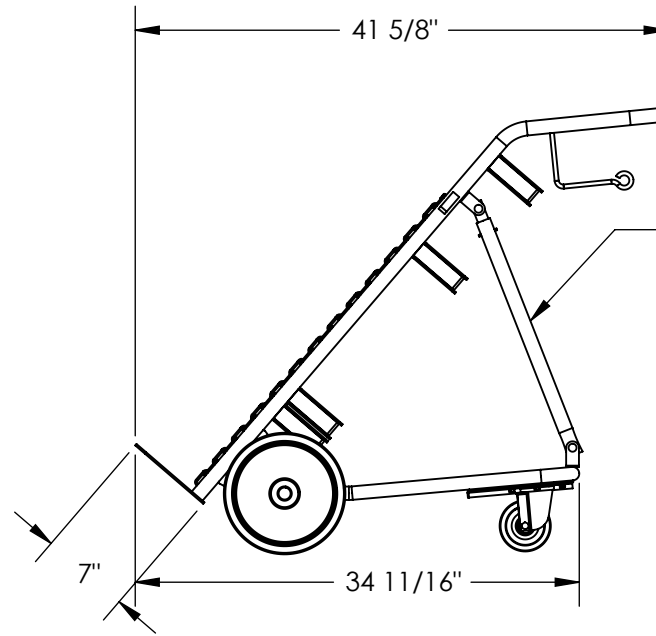
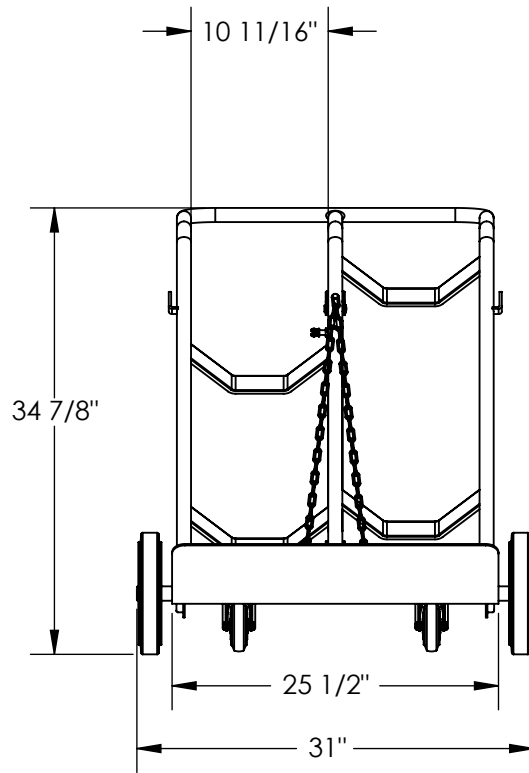


CYLINDER TILT BACK HAND TRUCK - CYHT-350

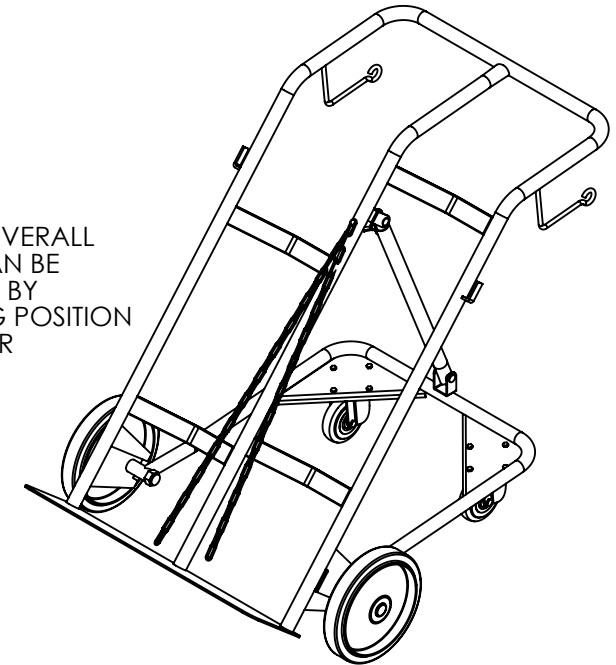
APPROX WEIGHT: 75 lbs.
DOES NOT INCLUDE WEIGHT OF POWER OR PACKAGING!!!

*** ANY ADDITIONS, DELETIONS, OR OMISSIONS MUST BE CORRECTED ON THIS DRAWING AS THIS DRAWING WILL BE CONSIDERED ALL INCLUSIVE ***

ALL GRAPHICS PROVIDED ARE FOR REFERENCE ONLY. IF CERTAIN DIMENSIONS ARE CRITICAL PLEASE VERIFY THOSE DIMENSIONS WITH YOUR SALESPERSON



TILT AND OVERALL HEIGHT CAN BE CHANGED BY ADJUSTING POSITION OF THIS BAR



STANDARD FEATURES

- MODEL NUMBER IS CYHT-350
- OVERALL WIDTH IS: 31"
- OVERALL LENGTH IS: 34 11/16"
- OVERALL HEIGHT IS: 34 7/8"
- NOSE PLATE WIDTH IS: 25 1/2"
- NOSE PLATE LENGTH IS: 7"
- UNIFORM CAPACITY IS: 350 LBS.
- COMES WITH (2) 28" CHAINS
- (2) Ø10" x 2" MOLD-ON-RUBBER WHEELS
- (2) Ø 4" x 1 3/8" PHENOLIC CASTERS

SPECIAL FEATURES

NONE

**A
P
P
R
O
V
A
L**

I, THE UNDERSIGNED, AGREE THAT THE PRODUCT AS REPRESENTED SATISFIES DESIGN AND DIMENSION REQUIREMENTS. I ALSO ACKNOWLEDGE MY DUTY TO CONFIRM PRODUCT AND INSTALLATION COMPLIANCE WITH ALL APPLICABLE FEDERAL, STATE AND LOCAL REGULATIONS AND STANDARDS.
ALL SPECIAL UNITS ARE NON-RETURNABLE
[] As drawn [] As marked

Signed: _____ Date: _____

LEAD TIME WILL START UPON RECEIPT OF SIGNED APPROVAL DRAWING

DISTRIBUTOR'S NAME:		P.O.#
VESTIL MANUFACTURING		X
DRAWN BY: T. MOORE		W.O.#
DATE: 12/01/10		X
REFERENCE: X	SCALE: 1:15	SALES: X
QUOTED LEAD TIME: X	QUOTE #	FILE NAME:
	X	16-007-278