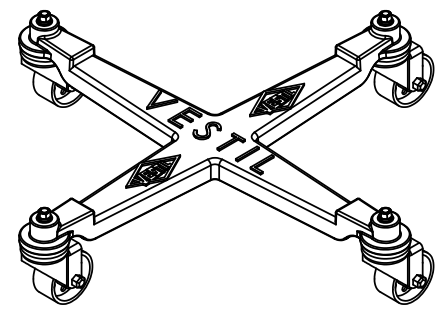
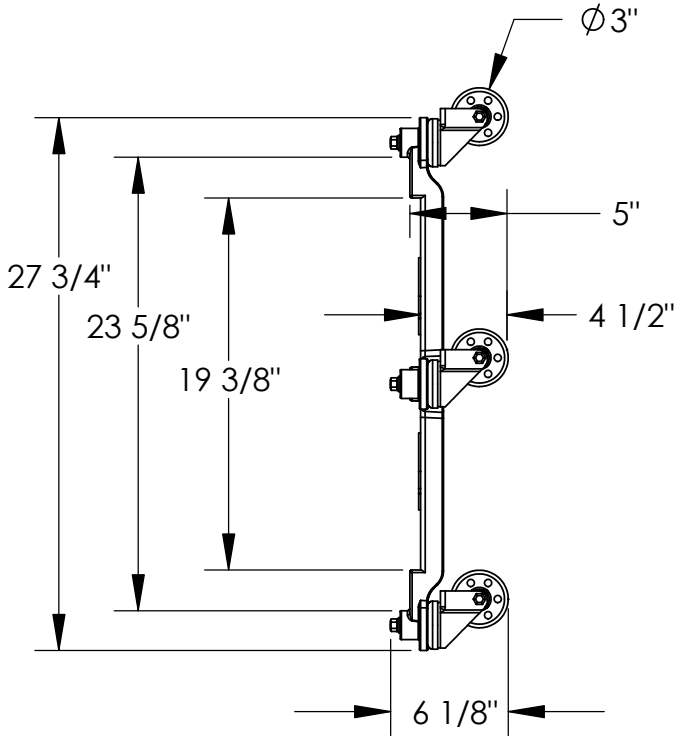
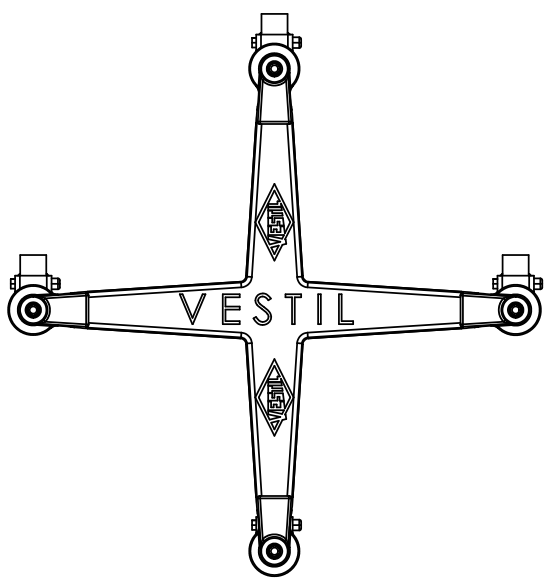


# MOBILE DRUM DOLLIE - DDO-P103-SS3



## STANDARD FEATURES

DDO-P103-SS3  
 CAPACITY: 1,200 LBS  
 CASTER: STEEL SWIVEL  
 APPROX. DRUM HEIGHT  
 30 GAL: 4 1/2"  
 55 GAL: 5"

## SPECIAL FEATURES

NONE

<b>A P P R O V A L</b>	I, the undersigned, hereby approve this print. This includes my approval of design & dimensions	
	<input type="checkbox"/> As drawn	<input type="checkbox"/> As marked
	Signed: _____ Date: _____	
<b>LEAD TIME WILL START UPON RECEIPT OF SIGNED APPROVAL DRAWING</b>		

DISTRIBUTOR'S NAME: <b>VESTIL MANUFACTURING</b>		P.O.# X
DRAWN BY: K.HALL	DATE: XX/XX/XX	W.O.# X
SCALE: 1:10		SALES: X
REFERENCE: X	QUOTE # X	FILE NAME: DDO-P103-SS3

**ALL SPECIAL UNITS  
 ARE NON-RETURNABLE**