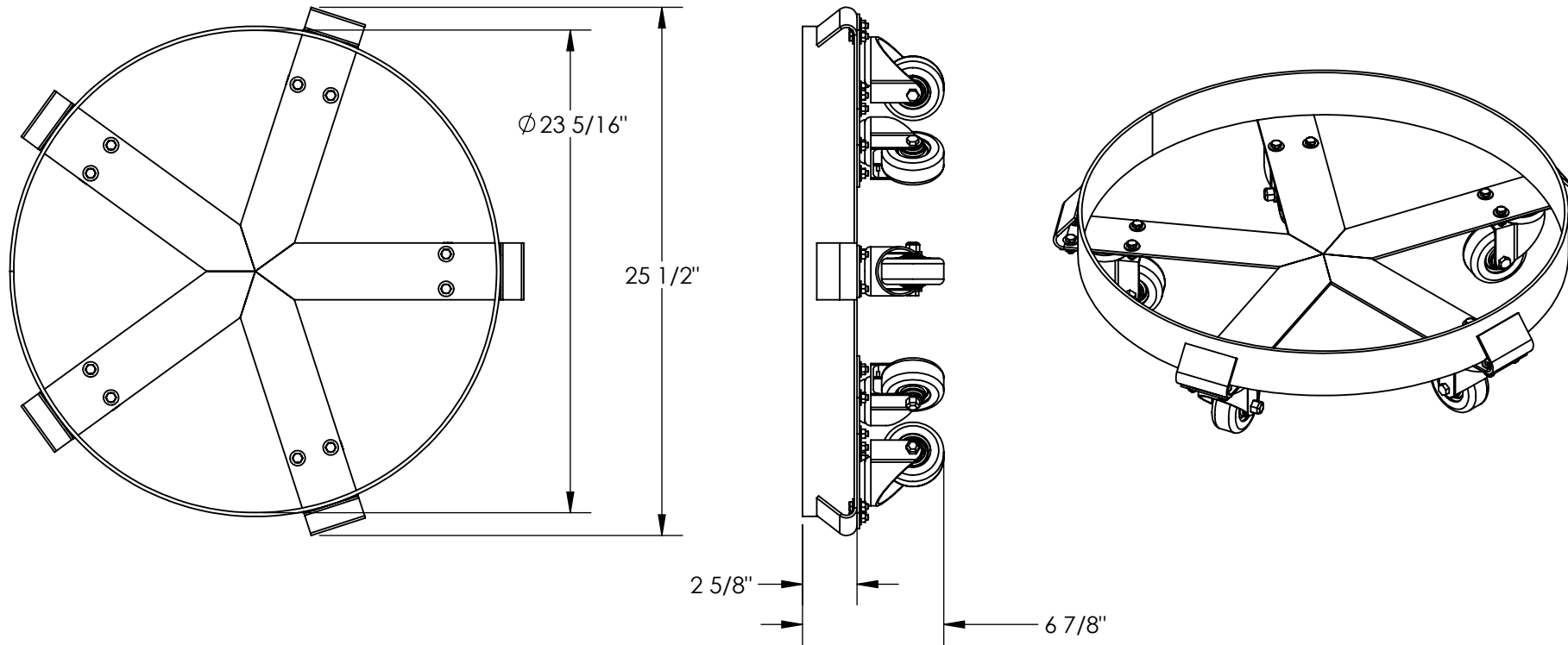


STAINLESS STEEL DRUM DOLLY - DRUM-FSD-SS-55-N

APPROX WEIGHT: 35.19 lbs.
 DOES NOT INCLUDE WEIGHT OF POWER OR PACKAGING!!!

*** ANY ADDITIONS, DELETIONS, OR OMISSIONS MUST BE CORRECTED ON THIS DRAWING AS THIS DRAWING WILL BE CONSIDERED ALL INCLUSIVE ***

ALL GRAPHICS PROVIDED ARE FOR REFERENCE ONLY. IF CERTAIN DIMENSIONS ARE CRITICAL PLEASE VERIFY THOSE DIMENSIONS WITH YOUR SALESPERSON



STANDARD FEATURES

- MODEL NUMBER IS DRUM-FSD-SS-55-N
- OVERALL WIDTH IS 25 1/2"
- INNER DIAMETER OF RING IS ϕ 23 5/16"
- OVERALL HEIGHT IS 6 7/8"
- MAX CAPACITY IS 1100 LBS
- COLOR-STAINLESS STEEL
- 3" SWIVEL CASTERS, QUANTITY 5

SPECIAL FEATURES

NONE

DIMENSION TOLERANCE \pm 1/4"

APPROVAL	I, THE UNDERSIGNED, AGREE THAT THE PRODUCT AS REPRESENTED SATISFIES DESIGN AND DIMENSION REQUIREMENTS. I ALSO ACKNOWLEDGE MY DUTY TO CONFIRM PRODUCT AND INSTALLATION COMPLIANCE WITH ALL APPLICABLE FEDERAL, STATE AND LOCAL REGULATIONS AND STANDARDS.	
	ANY MODIFIED UNITS ARE NON-RETURNABLE	
	[] As drawn [] As marked	
	Signed: _____ Date: _____	
Printed Name: _____		
LEAD TIME WILL START UPON RECEIPT OF SIGNED APPROVAL DRAWING		

FOR INTERNAL USE ONLY PROJECT SIGN OFF	
SALES	
ENG.	
FAB.	
POWER	

DISTRIBUTOR'S NAME:		P.O.#
VESTIL MANUFACTURING		X
W.O.#		X
DRAWN BY:	C.CLEMENS	DATE: 05/10/18
SALES:		X
REFERENCE:	X	SCALE: 1:12
FILE NAME:		33-007-337
QUOTED LEAD TIME:	X	QUOTE #
		X