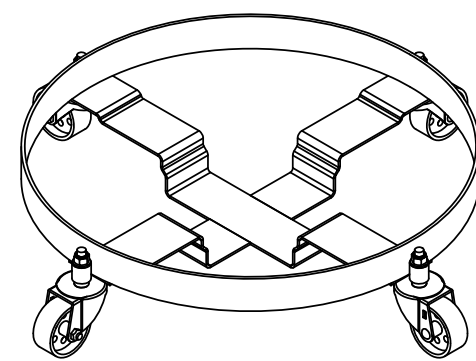
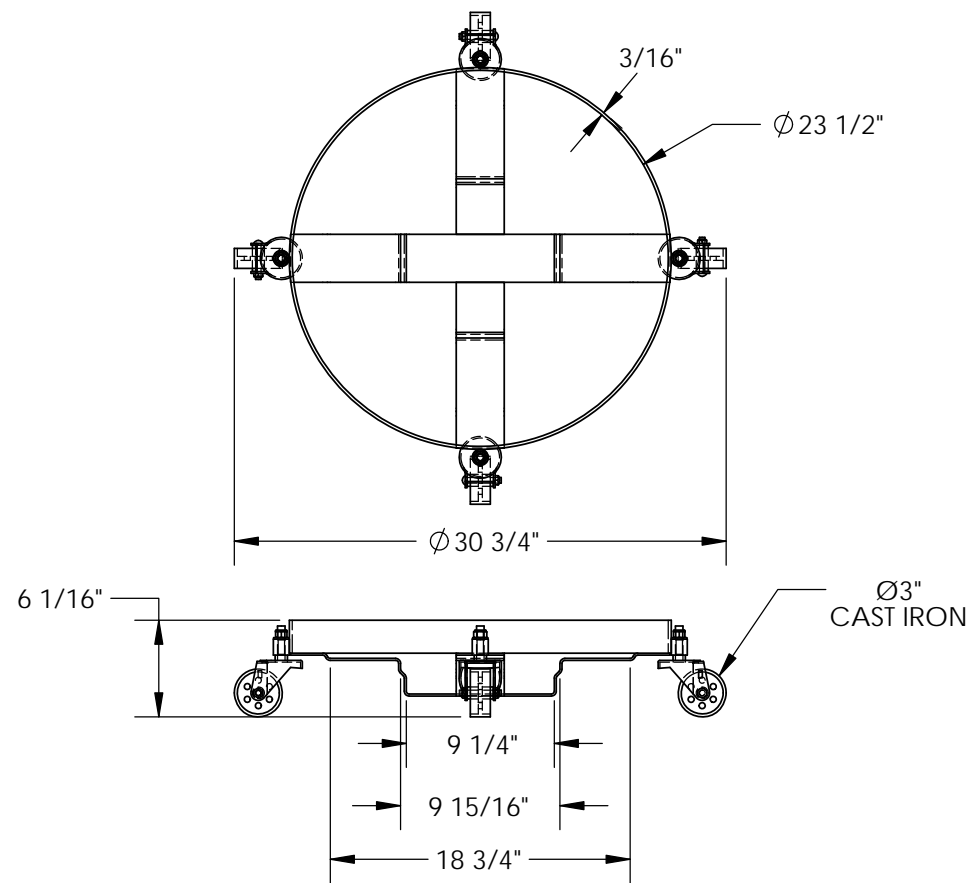


# DRUM DOLLY - DRUM-QUAD-C

APPROX WEIGHT: 20.98 lbs.  
 DOES NOT INCLUDE WEIGHT OF POWER OR PACKAGING!!!

\*\*\* ANY ADDITIONS, DELETIONS, OR OMISSIONS MUST BE CORRECTED ON THIS DRAWING AS THIS DRAWING WILL BE CONSIDERED ALL INCLUSIVE \*\*\*

ALL GRAPHICS PROVIDED ARE FOR REFERENCE ONLY. IF CERTAIN DIMENSIONS ARE CRITICAL PLEASE VERIFY THOSE DIMENSIONS WITH YOUR SALESPERSON



DIMENSION TOLERANCE ± 1/2"

## STANDARD FEATURES

- MODEL NUMBER IS DRUM-QUAD-C
- OVERALL DIAMETER IS Ø 30 3/4"
- USABLE DIAMETER IS Ø 23 1/2"
- OVERALL HEIGHT IS 6 1/16"
- MAX CAPACITY IS 1,200 LBS
- CASTERS: CAST IRON
- PULL STRAP INCLUDED (NOT SHOWN)

## SPECIAL FEATURES

NONE

<b>APPROVAL</b>	I, THE UNDERSIGNED, AGREE THAT THE PRODUCT AS REPRESENTED SATISFIES DESIGN AND DIMENSION REQUIREMENTS. I ALSO ACKNOWLEDGE MY DUTY TO CONFIRM PRODUCT AND INSTALLATION COMPLIANCE WITH ALL APPLICABLE FEDERAL, STATE AND LOCAL REGULATIONS AND STANDARDS.	
	<b>ALL SPECIAL UNITS ARE NON-RETURNABLE</b>	
	[ ] As drawn [ ] As marked	
Signed: _____		Date: _____
LEAD TIME WILL START UPON RECEIPT OF SIGNED APPROVAL DRAWING		

FOR INTERNAL USE ONLY PROJECT SIGN OFF	
SALES	
ENG.	
FAB.	
POWER	

DISTRIBUTOR'S NAME:		P.O.#
VESTIL MANUFACTURING		X
W.O.#		X
DRAWN BY:	DATE:	SALES:
KC	10/19/15	X
REFERENCE:	SCALE:	FILE NAME:
X	1:12	
QUOTED LEAD TIME:	QUOTE #	
X	X	33-007-112