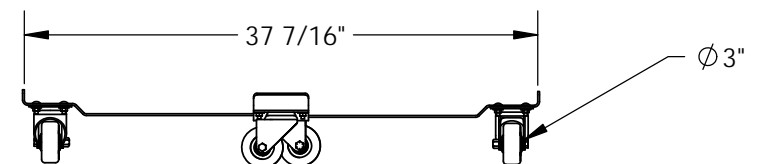
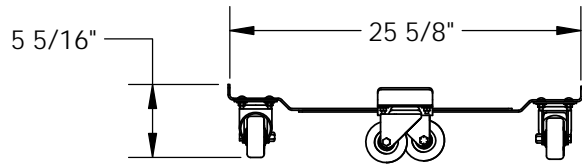
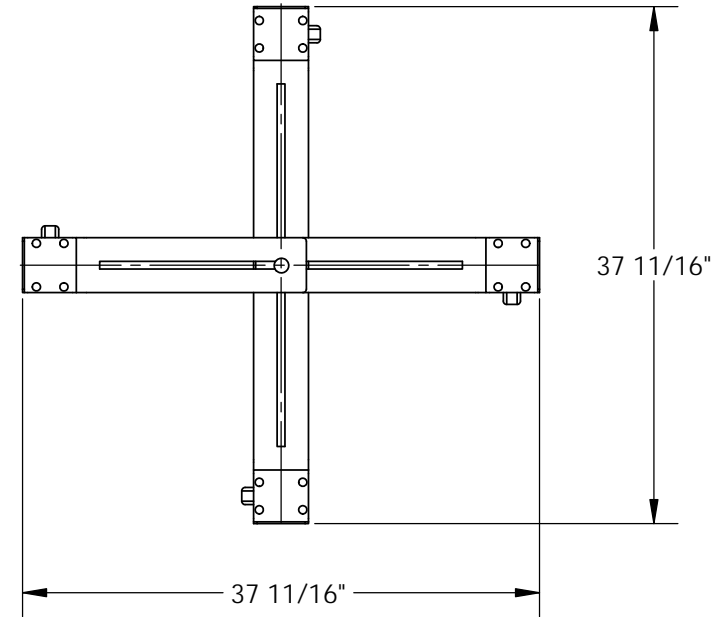
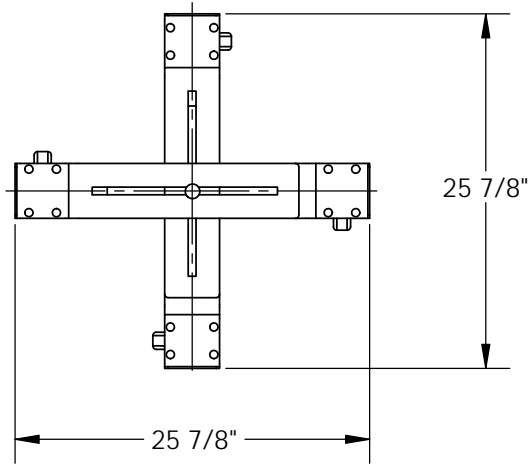


ADJUSTABLE MOBILE DRUM DOLLY - DRUM-X-H

APPROX WEIGHT: 26.25 lbs.
DOES NOT INCLUDE WEIGHT OF POWER OR PACKAGING!!!

*** ANY ADDITIONS, DELETIONS, OR OMISSIONS MUST BE CORRECTED ON THIS DRAWING AS THIS DRAWING WILL BE CONSIDERED ALL INCLUSIVE ***

ALL GRAPHICS PROVIDED ARE FOR REFERENCE ONLY. IF CERTAIN DIMENSIONS ARE CRITICAL PLEASE VERIFY THOSE DIMENSIONS WITH YOUR SALESPERSON



STANDARD FEATURES

- MODEL NUMBER IS DRUM-X-H
- COLLAPSED OVERALL WIDTH IS 25 7/8"
- COLLAPSED OVERALL LENGTH IS 25 7/8"
- COLLAPSED USABLE WIDTH IS 25 5/8"
- COLLAPSED USABLE LENGTH IS 25 5/8"
- EXTENDED OVERALL WIDTH IS 37 11/16"
- EXTENDED OVERALL LENGTH IS 37 11/16"
- EXTENDED USABLE WIDTH IS 37 7/16"
- EXTENDED USABLE LENGTH IS 37 7/16"
- OVERALL HEIGHT IS 5 5/16"
- MAX CAPACITY IS 1,000 LBS
- HARD RUBBER CASTERS

DIMENSION TOLERANCE $\pm 1/4"$
SPECIAL FEATURES
NONE

A P P R O V A L	I, THE UNDERSIGNED, AGREE THAT THE PRODUCT AS REPRESENTED SATISFIES DESIGN AND DIMENSION REQUIREMENTS. I ALSO ACKNOWLEDGE MY DUTY TO CONFIRM PRODUCT AND INSTALLATION COMPLIANCE WITH ALL APPLICABLE FEDERAL, STATE AND LOCAL REGULATIONS AND STANDARDS.	
	ANY MODIFIED UNITS ARE NON-RETURNABLE	
	[] As drawn [] As marked	
	Signed: _____ Date: _____	
Printed Name: _____		
LEAD TIME WILL START UPON RECEIPT OF SIGNED APPROVAL DRAWING		

FOR INTERNAL USE ONLY PROJECT SIGN OFF	
SALES	
ENG.	
FAB.	
POWER	

DISTRIBUTOR'S NAME:		P.O.#
VESTIL MANUFACTURING		X
DRAWN BY: KC	DATE: 9/2/15	W.O.#
REFERENCE: X	SCALE: 1:14	X
QUOTED LEAD TIME: X	QUOTE #	FILE NAME:
	X	33-007-302