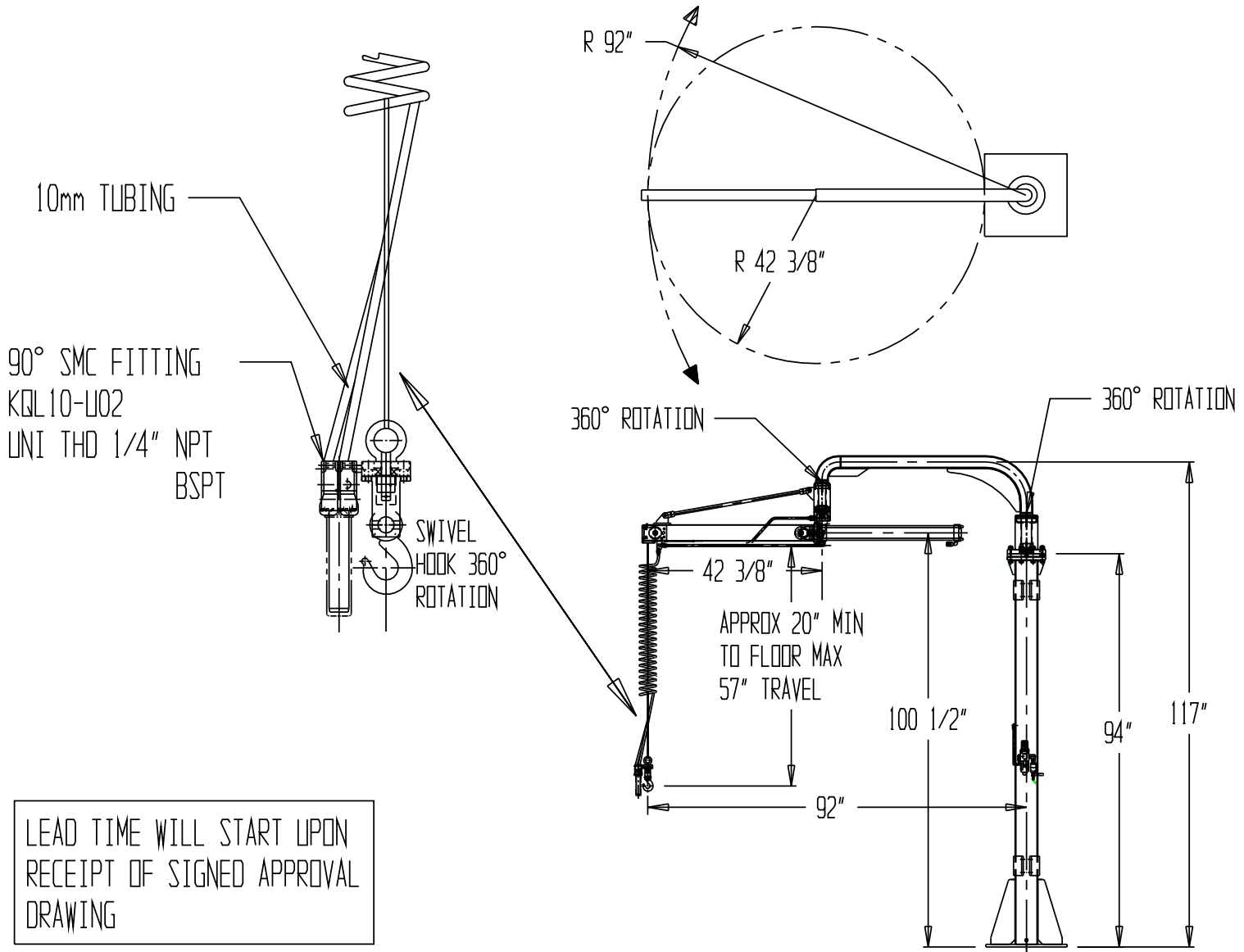


DSJ-300 AIR BALANCE JIB LIFTER



LEAD TIME WILL START UPON RECEIPT OF SIGNED APPROVAL DRAWING

STANDARD FEATURES:

- MODEL NUMBER DSJ-300
- CAPACITY 250 LBS.
- UP / DOWN PENDANT CONTROL OPERATION
- UP / DOWN STROKE IS 57 INCHES
- AIR PRESSURE 100 P.S.I.
- AIR REGULATOR / FILTER INCLUDED
- MOUNTING HARDWARE NOT INCLUDED

APPROVAL

I, the undersigned, hereby approve this print
 As drawn As marked

This includes my approval of design & dimensions.

Signed: _____
 Date: _____

| | | |
|--------------------------|----------|-----------------------|
| DISTRIBUTOR'S NAME: - | | P.O.#: - |
| DRAWN BY: - | | W.O.#: - |
| DATE: - | SALES: - | |
| REFERENCE: - | | DRWG./FILE NAME: - |

* SPECIAL UNITS ARE NON RETURNABLE *