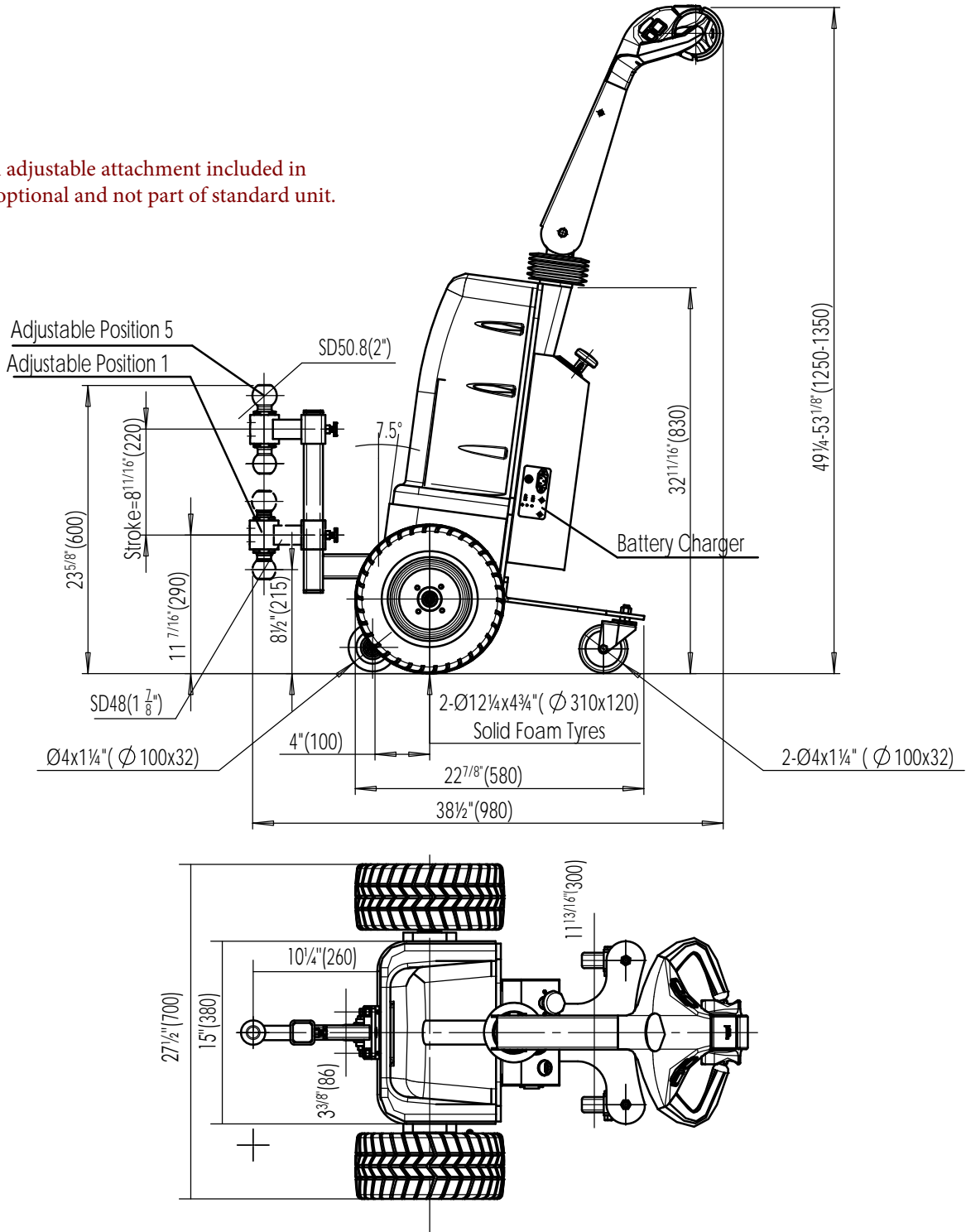


E-TUG-20 (ELECTRIC POWERED TUGGER)

Note: 5 position adjustable attachment included in the drawing is optional and not part of standard unit.



Specifications:
 Capacity: 2,000 lbs
 Drive Motor: DC24V/800W
 Gear Ratio: 1:40
 Battery: 2x12V/70Ah
 Charger: 24V/8amps (4 amps/bank)
 Controller: CT1212-2501
 Loaded/unloaded speed: 3.7/4.3Km/h

VESTIL MANUFACTURING CORP.	
Model:	E-TUG-20
Description: Electric Powered Tugger	
Drawn By: T.M	Date: 09/18/2015