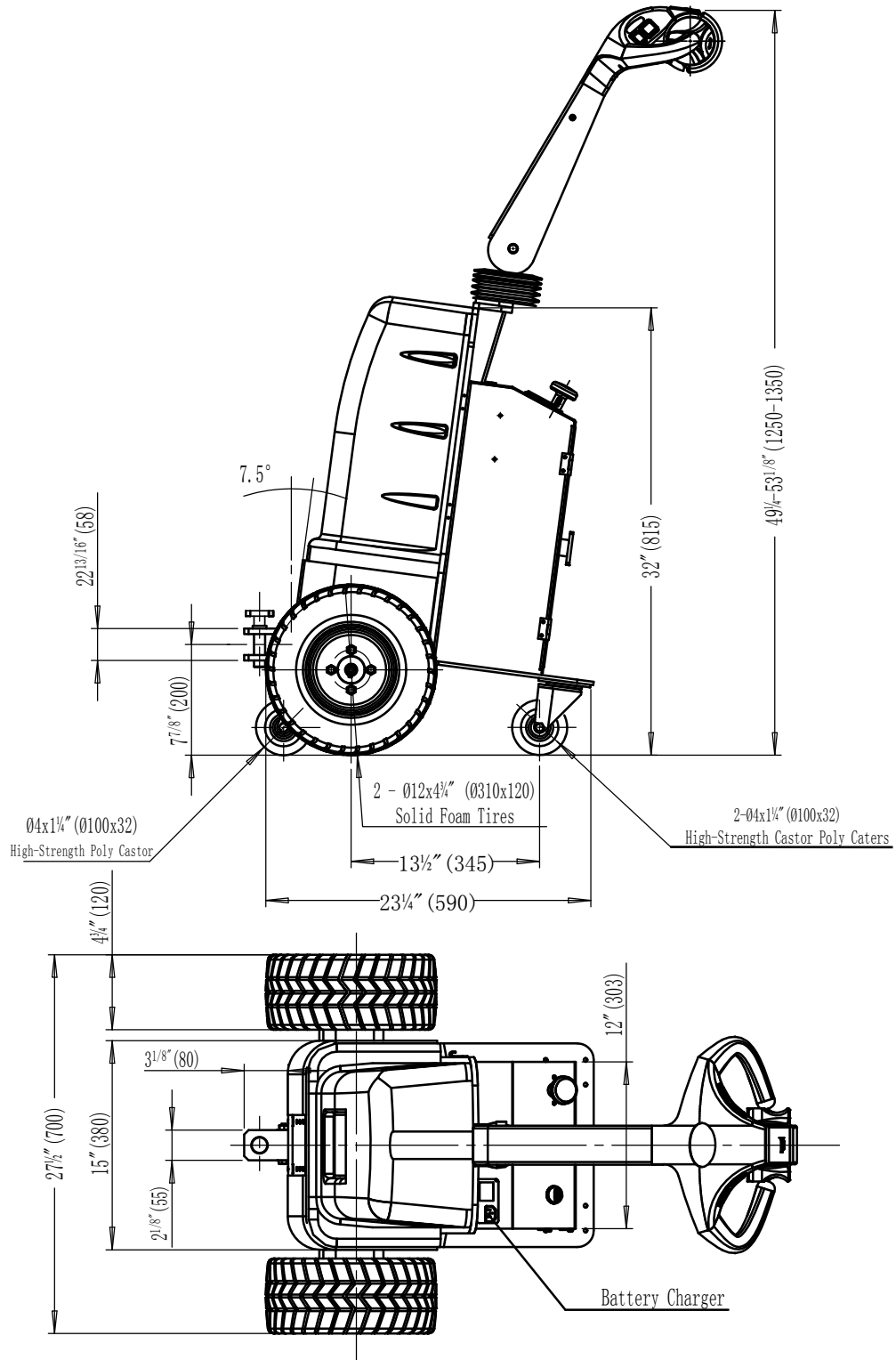


E-TUG-30 (ELECTRIC POWERED TUGGER)



Specifications:
 Capacity: 3,000 lbs
 Drive Motor: DC24V/1200W
 Battery: 2x12V/70Ah
 Charger: 24V/6amps (constant current)
 Controller: 1237
 Loaded/unloaded speed: 3.7/4.3Km/h

| | |
|--------------------------------------|------------------|
| VESTIL MANUFACTURING CORP. | |
| Model: | E-TUG-30 |
| Description: Electric Powered Tugger | |
| Drawn By: T.M | Date: 08/09/2018 |