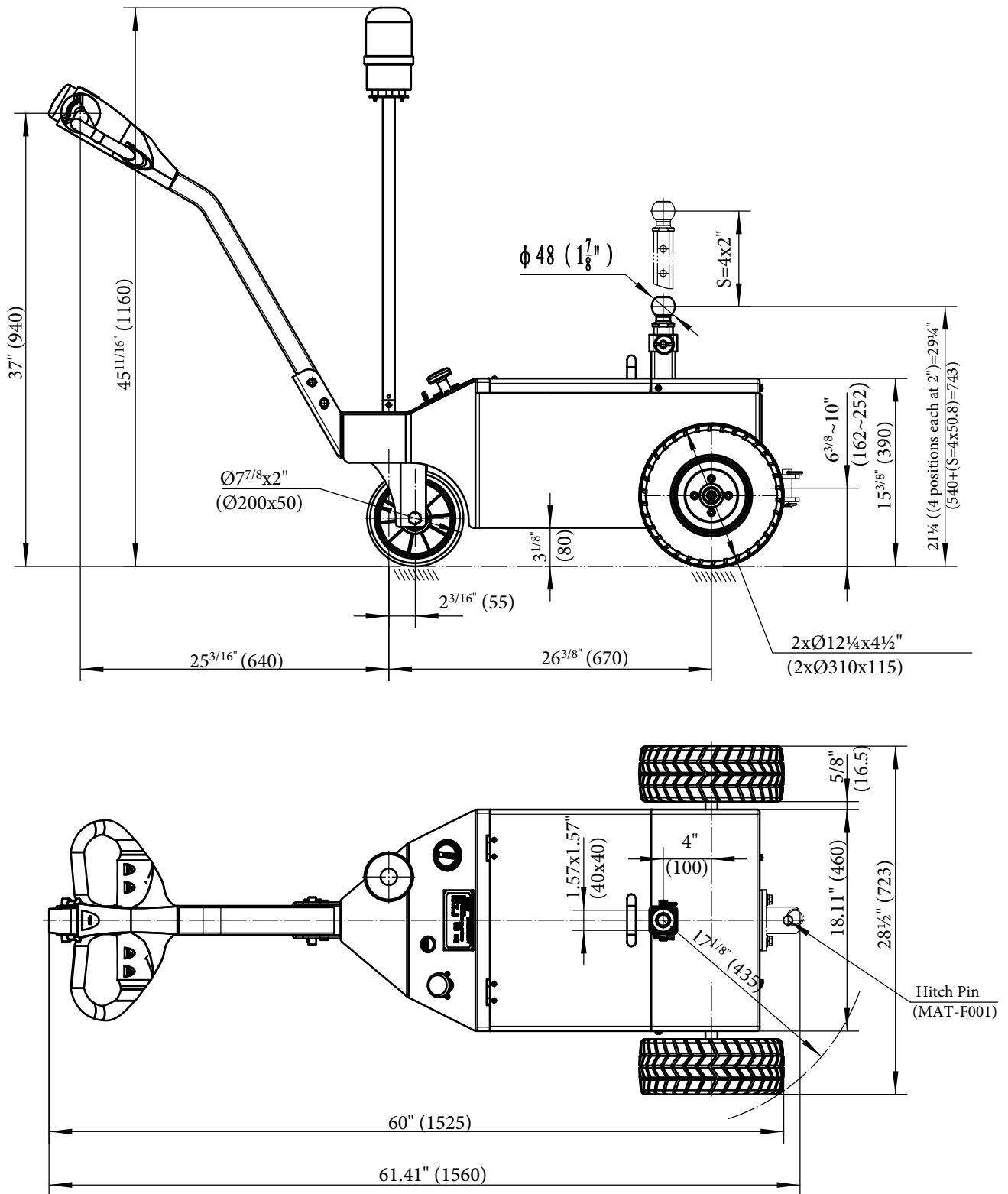


# E-TUG-HD-30 (ELECTRIC POWER MOVER)



**Specifications:**

Model: E-TUG-HD-30  
 Drive: C04GL-11524G-800W-24V-2800r/min  
 Gear Ratio: 40:1  
 Drive Motor: 24V/800W  
 Controller: 1212-2501  
 Battery: 2x12V/70~80Ah  
 Charger: 24/2x10amp charger  
 Speed w/o Load: 2~2.5 mph

VESTIL MANUFACTURING CORP.	
Model:	E-TUG-HD-30
Description:	Electric Powered Mover
DESIGN: TM	DATE: 03/31/20