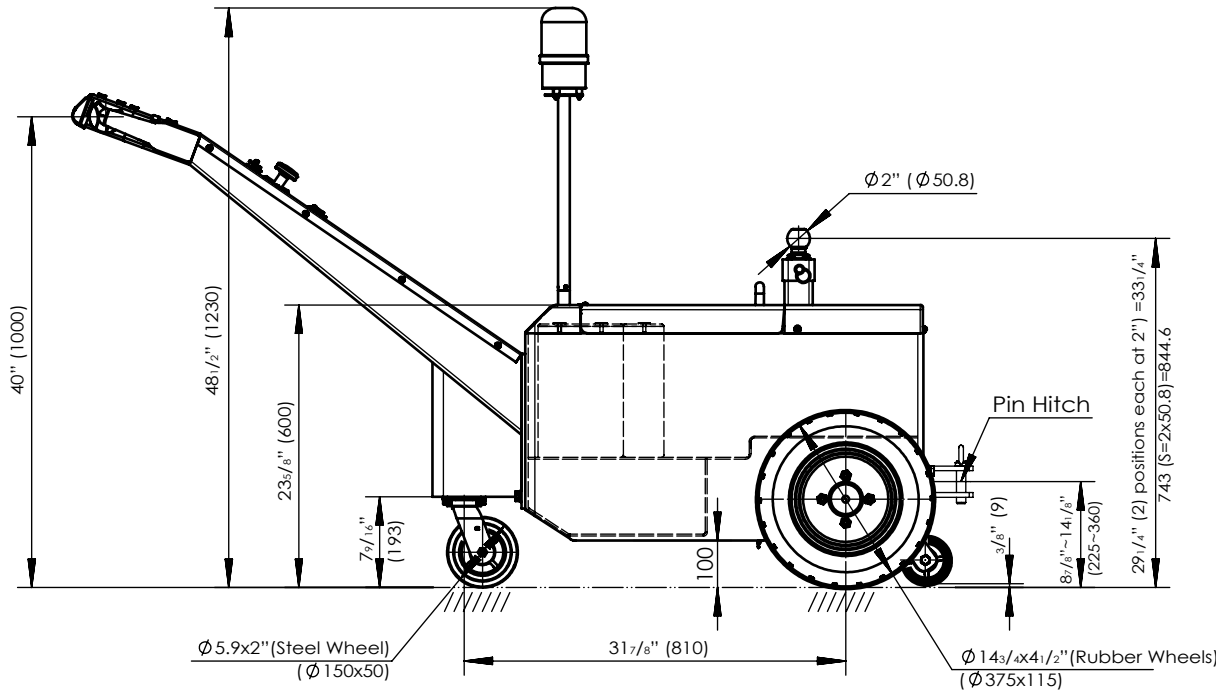


# ELECTRIC POWERED TUGGER - E-TUG-HD-70

APPROX WEIGHT: 889 lbs.  
DOES NOT INCLUDE WEIGHT OF POWER OR PACKAGING!!!

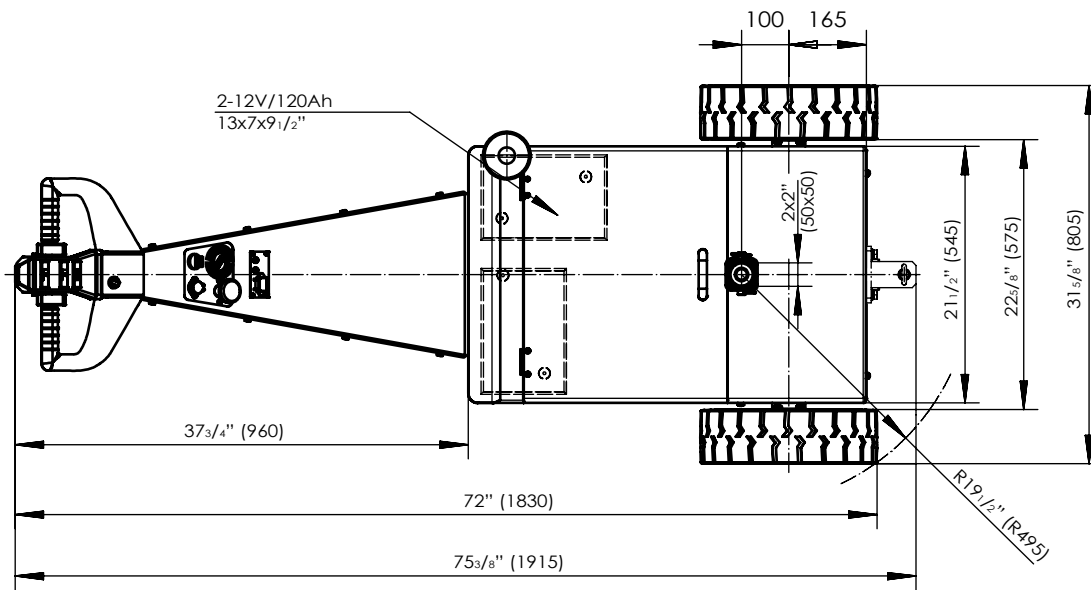
\*\*\* ANY ADDITIONS, DELETIONS, OR OMISSIONS MUST BE CORRECTED ON THIS DRAWING AS THIS DRAWING WILL BE CONSIDERED ALL INCLUSIVE \*\*\*

ALL GRAPHICS PROVIDED ARE FOR REFERENCE ONLY. IF CERTAIN DIMENSIONS ARE CRITICAL PLEASE VERIFY THOSE DIMENSIONS WITH YOUR SALESPERSON



## STANDARD FEATURES

- MODEL: E-TUG-HD-70
- UNIFORM PULL CAPACITY: 7,000 Lbs
- DRIVE: C05-142H-1500-24-2400
- GEAR RATIO: 57:1
- DRIVE MOTOR: 24V / 1500W
- CONTROLLER: 1237-2425
- BATTERY: 2x12V / 120Ah
- CHARGER: 24/2x10 amp
- SPEED w/o LOAD: 2~2.5 mph
- UNIT IS YELLOW & BLACK



DIMENSION TOLERANCE  $\pm 1/2"$

APPROVAL

I, THE UNDERSIGNED, AGREE THAT THE PRODUCT AS REPRESENTED SATISFIES DESIGN AND DIMENSION REQUIREMENTS. I ALSO ACKNOWLEDGE MY DUTY TO CONFIRM PRODUCT AND INSTALLATION COMPLIANCE WITH ALL APPLICABLE FEDERAL, STATE AND LOCAL REGULATIONS AND STANDARDS.

**UNITS REQUIRING APPROVAL DRAWINGS OR MODIFIED ARE NON-RETURNABLE**

As drawn       As marked

Signed: \_\_\_\_\_ Date: \_\_\_\_\_

Printed Name: \_\_\_\_\_

LEAD TIME WILL START UPON RECEIPT OF SIGNED APPROVAL DRAWING

DISTRIBUTOR'S NAME:		P.O.#
VESTIL MANUFACTURING		X
DRAWN BY: TM	DATE: 07/21/2021	W.O.#
REFERENCE: X	SCALE: NTS	X
QUOTED LEAD TIME: X	QUOTE #	FILE NAME:
	X	E-TUG-HD-70