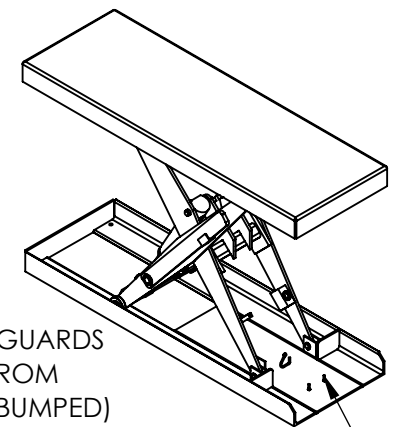
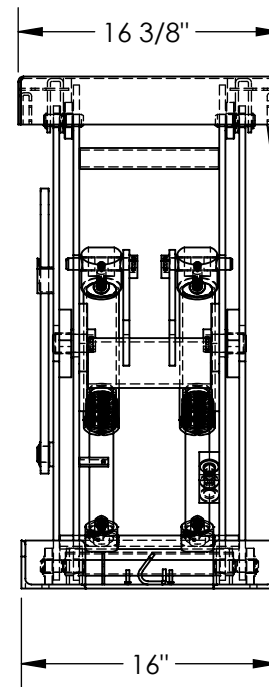
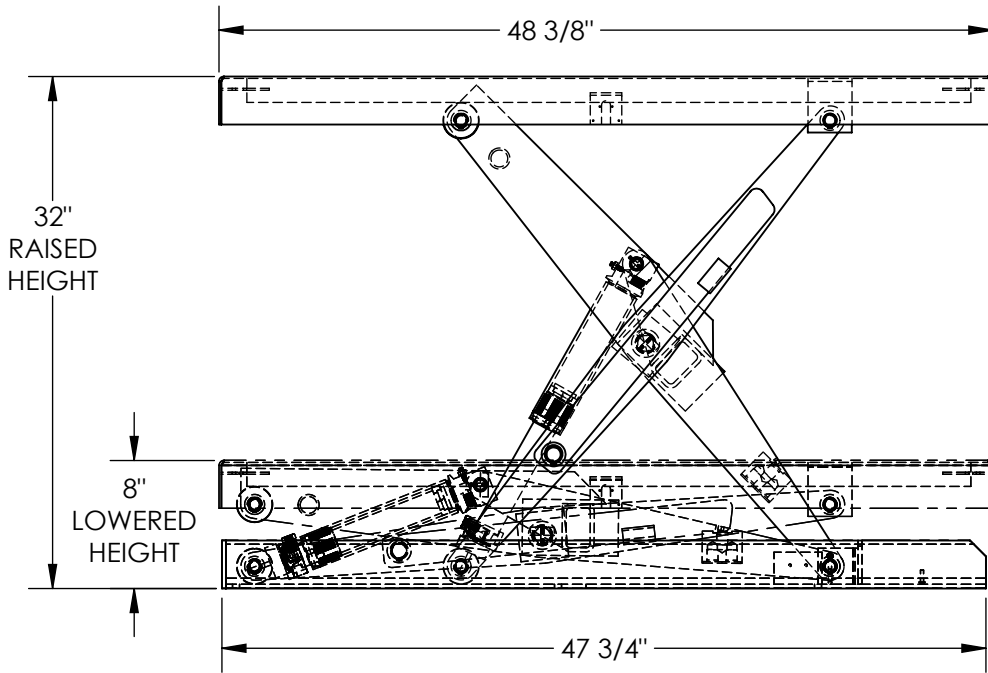


NARROW SCISSOR LIFT - EHLT-N-1648-2-32

APPROX WEIGHT: 245.18 lbs.
 DOES NOT INCLUDE WEIGHT OF POWER OR PACKAGING!!!

*** ANY ADDITIONS, DELETIONS, OR OMISSIONS MUST BE CORRECTED ON THIS DRAWING AS THIS DRAWING WILL BE CONSIDERED ALL INCLUSIVE ***

ALL GRAPHICS PROVIDED ARE FOR REFERENCE ONLY. IF CERTAIN DIMENSIONS ARE CRITICAL PLEASE VERIFY THOSE DIMENSIONS WITH YOUR SALESPERSON



ELECTRIC TOEGUARDS
 (STOP TABLE FROM
 LOWERING IF BUMPED)
 MEETS OSHA 1910.212

HOSE EXIT

DECK TOLERANCES $\pm 1/2"$
 TABLE HEIGHT TOLERANCES $\pm 1/2"$
 DECK FLATNESS $\pm 1/4"$

DIMENSION TOLERANCE $\pm 1/4"$

STANDARD FEATURES

- MODEL NUMBER IS EHLT-N-1648-2-32
- PLATFORM WIDTH IS 16 3/8"
- PLATFORM LENGTH IS 48 3/8"
- OVERALL WIDTH IS 16 3/8"
- OVERALL LENGTH IS 48 3/8"
- RAISED HEIGHT IS 32"
- LOWERED HEIGHT IS 8"
- CAPACITY (EVENLY DISTRIBUTED) IS 2,000 LBS
- 24V AC CONTROL VOLTAGE
- SAFETY MAINTENANCE PROPS
- DISPLACEMENT STYLE CYLINDERS INSTALLED ROD DOWN
- OTHER VOLTAGES HAVE A 2' TEST LEAD
- INTERNAL POWER UNIT
- EMERGENCY SAFETY STOP HYDRAULIC FUSES
- UPPER TRAVEL LIMIT SWITCH
- ELECTRIC PINCH POINT GUARD
- DURABLE LIQUID PAINTED BLUE FINISH
- CONTROL IS HANDHELD, 2 BUTTON, NEMA 4
- PENDANT WITH MINIMUM 8' USABLE CORD
- AC 460 V, 3-PHASE, 60 HZ.

SPECIAL FEATURES

NONE

APPROVAL	I, THE UNDERSIGNED, AGREE THAT THE PRODUCT AS REPRESENTED SATISFIES DESIGN AND DIMENSION REQUIREMENTS. I ALSO ACKNOWLEDGE MY DUTY TO CONFIRM PRODUCT AND INSTALLATION COMPLIANCE WITH ALL APPLICABLE FEDERAL, STATE AND LOCAL REGULATIONS AND STANDARDS.	
	ANY MODIFIED UNITS ARE NON-RETURNABLE	
	[] As drawn [] As marked	
Signed: _____		Date: _____
Printed Name: _____		
LEAD TIME WILL START UPON RECEIPT OF SIGNED APPROVAL DRAWING		

FOR INTERNAL USE ONLY PROJECT SIGN OFF	
SALES	
ENG.	
FAB.	
POWER	

DISTRIBUTOR'S NAME:		P.O.#
VESTIL MANUFACTURING		X
DRAWN BY: KEC		W.O.#
DATE: 7/5/16		X
REFERENCE: X	SCALE: 1:12	SALES: X
QUOTED LEAD TIME: X	QUOTE #	FILE NAME:
	X	24-007-561