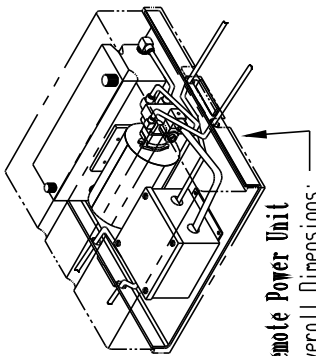


# LOW PROFILE SCISSORS TABLE - EHLTX-4053-2-39



**Remote Power Unit**  
Overall Dimensions:  
24" x 24" x 8-1/2"  
with 8' hose & cord

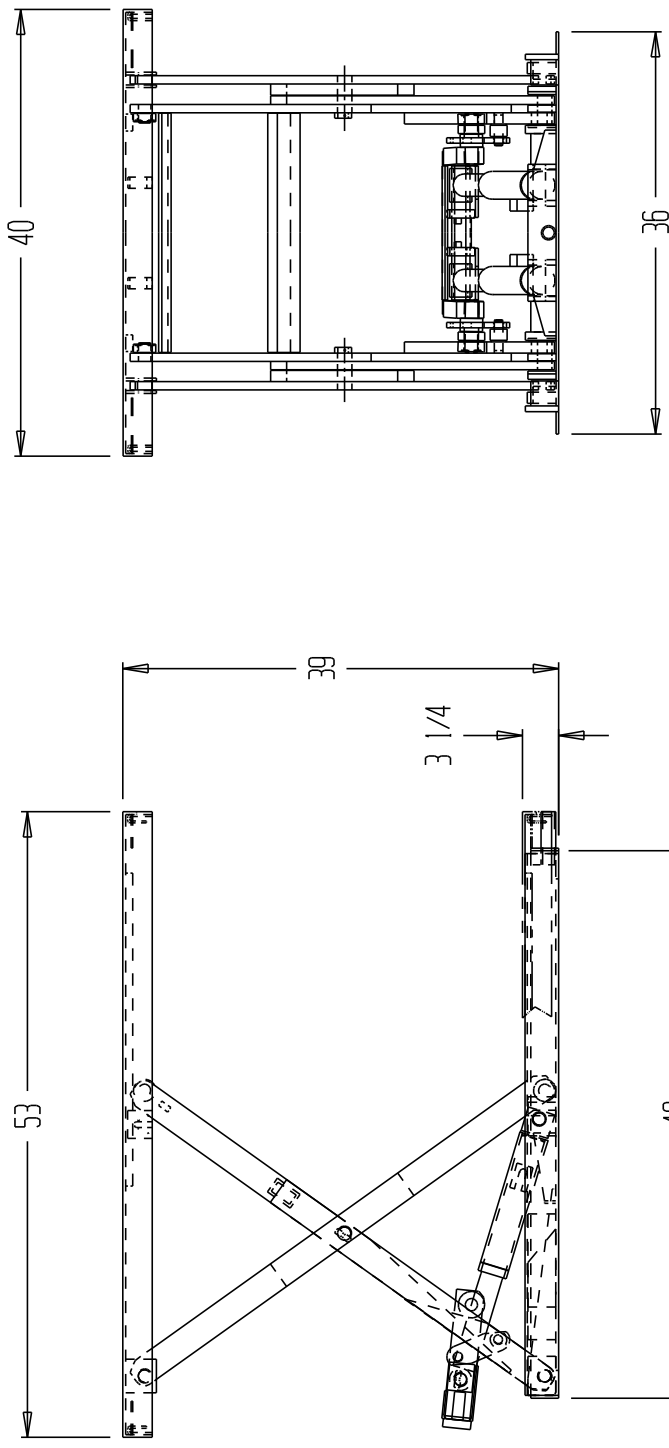
**PLEASE CIRCLE SPECIFICATIONS:**

POWER	AC	DC (12V)	AIR/OIL
MOTOR VOLTAGE	115	208	230 460
DEDICATED CIRCUIT REQUIRED			
MOTOR PHASE	SINGLE	THREE	
CONTROL	HAND	*FOOT	
* BATTERY CHRG.	REMOTE	ON-BOARD	
* CHRG. INDICATOR	YES	NO	

\* DC REMOTE POWER UNIT WILL HAVE A LARGER FOOT PRINT

**STANDARD FEATURES**

- MODEL NUMBER EHLTX-4053-2-39
- PLATFORM WIDTH- 40"
- PLATFORM LENGTH- 53"
- PLATFORM RAISED HEIGHT- 39"
- PLATFORM LOWERED HEIGHT- 3 1/4"
- CAPACITY- 2,000 LBS
- TWO CYLINDER DESIGN
- CONTROL - HAND-24V RAIN TIGHT ON 8' CORD



**\* STANDARD OPTIONS**

- APPROACH RAMP WITH 32" WIDE CROWN ROLLER
  - 48" LONG LEVEL PLATFORM FOR RAMP
  - FOOT CONTROL WITH GUARD
  - ACCORDIAN SKIRTING (FACTORY INSTALLED)
  - ACCORDIAN SKIRTING (CUSTOMER INSTALLED)
  - 48" DIA. THIN SPIN CAROUSEL
- (MOST DECK ADDITIONS DERATE THE TABLE BY AT LEAST 250 LBS)**

FOR INTERNAL USE ONLY PROJECT SIGN OFF
SALES
ENG
FAB.
POWER

**A P P R O V A L**  
I, THE UNDERSIGNED, AGREE THAT THE PRODUCT AS REPRESENTED SATISFIES DESIGN & DIMENSION REQUIREMENTS. I ALSO ACKNOWLEDGE MY DUTY TO CONFIRM PRODUCT & INSTALLATION COMPLIANCE WITH ALL APPLICABLE FEDERAL, STATE AND LOCAL REGULATIONS & STANDARDS.  
**ALL SPECIAL UNITS ARE NON-RETURNABLE**  
( ) As drawn ( ) As marked  
Signed: \_\_\_\_\_ Date: \_\_\_\_\_  
LEAD TIME WILL START UPON RECEIPT OF SIGNED APPROVAL DRAWING

DISTRIBUTOR'S NAME: <b>VESTIL MFG</b>		P.O.#: -
DRAWN BY: _____		W.O.#: -
DATE: -		SALES: -
REFERENCE: -		SCALE: -
QUOTED LEADTIME: -		QUOTE #: -
DRWG./FILE NAME: _____		